



## SNOW BRACKET™ H - CLASSIC

### DESCRIPTION

- Designed for almost all roof types
- Available with or without fastener cover clip
- Can be powder coated to match roofing material color
- Overall dimensions: 5-1/2" L X 1-3/16" W X 3" H

### MATERIALS

- Paintlok Steel: 16 ga
- Copper: 48 oz (ASTM B152)
- Stainless Steel: 16 ga (ASTM A240)

### COLORS/FINISHES

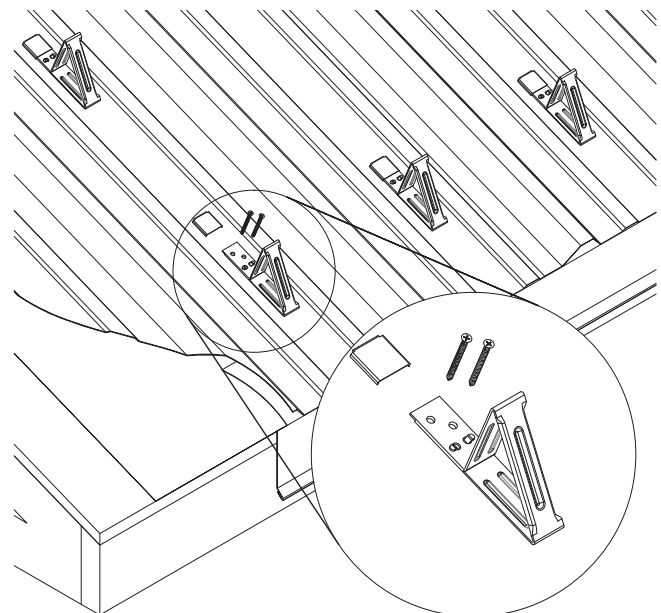
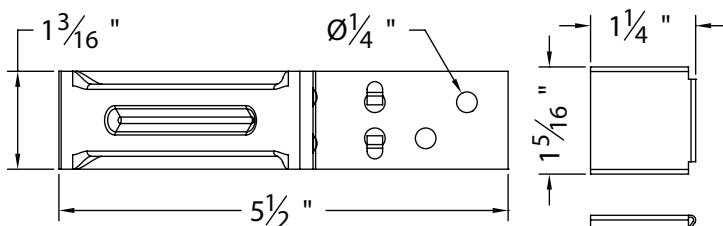
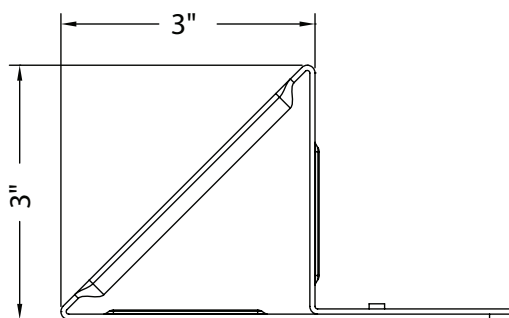
- Zinc Plated
- Powder coating available in many colors visit <http://trasnowandsun.com/color-chart/> to see color chart

**NOTE:** Due to specific job conditions, TRA Snow and Sun will only warranty a snow retention system/layout that has been designed by TRA Snow and Sun.



**FOR NEW CONSTRUCTION OR RETROFIT**

**USED ON : ALMOST ALL ROOF TYPES**



Bracket is installed with (2) #14 screws fastened through roofing material and sheathing below. Bracket installed with triangle portion of bracket over eave edge of roofing material.

**INSTALLATION**  
DO NOT SCALE

**SNOW RETENTION SYSTEMS**

**DIMENSIONS** \*Dimensions shown are in inches.  
DO NOT SCALE