



SNOW BRACKET F - APEX

DESCRIPTION

- Designed for Cedar Shingles, Wood Shakes, Slate, and Simulated Slate
- Installed using (4) 2" roofing nails that must penetrate the sheathing
- Can be powder coated to match roofing material color
- Overall dimensions: 16" L X 1-3/16" W X 3" H
- Can be manufactured in custom lengths

MATERIALS

- Paintlok Steel: 16 ga
- Copper: 48 oz (ASTM B152)
- Stainless Steel: 16 ga (ASTM A240)

COLORS/FINISHES

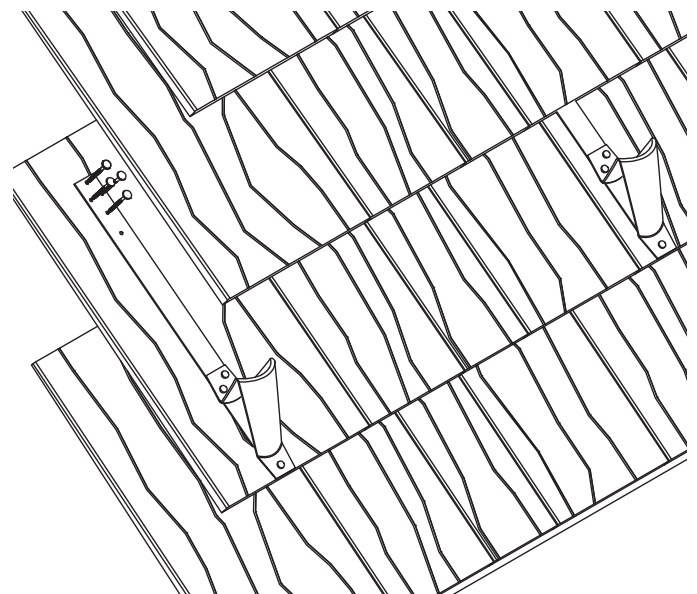
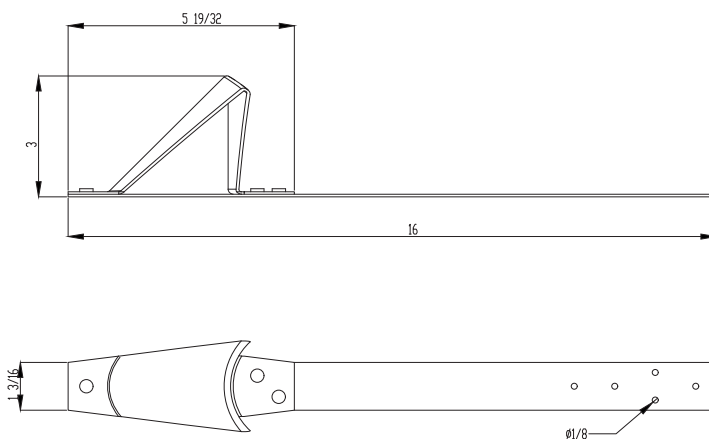
- Zinc Plated
- Powder coating available in many colors visit <http://trasnowandsun.com/color-chart/> to see color chart

NOTE: Due to specific job conditions, TRA Snow and Sun will only warranty a snow retention system/layout that has been designed by TRA Snow and Sun.



FOR NEW CONSTRUCTION

USED ON: CEDAR SHINGLES, WOOD SHAKES, SLATE AND SIMULATED SLATE



INSTALLATION:
BRACKET IS INSTALLED WITH FOUR 2" ROOFING NAILS DIRECTLY INTO SHEATHING WITH TRIANGULAR END OF BRACKET AT EAVE END OF SHAKE AND UPPER END UNDER SHAKE IN COURSE ABOVE.

INSTALLATION
DO NOT SCALE

SNOW RETENTION SYSTEMS

DIMENSIONS *Dimensions shown are in inches.
DO NOT SCALE