



SNOW BRACKET™ E SHORT - CLASSIC

DESCRIPTION

- Designed for simulated slate, shake, asphalt shingle and metal roofs
- Can be powder coated to match roofing material color
- Overall dimensions: 8-1/8" L X 1-3/16" W X 2-7/8" H

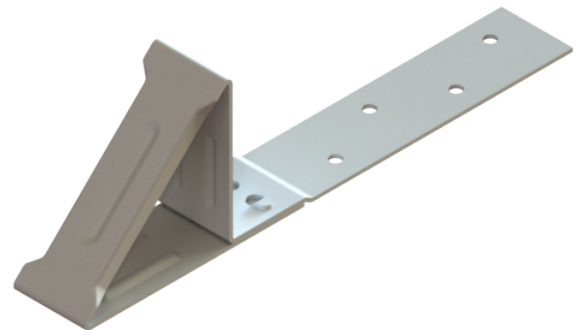
MATERIALS

- Paintlok Steel: 16 ga
- Copper: 48 oz (ASTM B152)
- Stainless Steel: 16 ga (ASTM A240)

COLORS/FINISHES

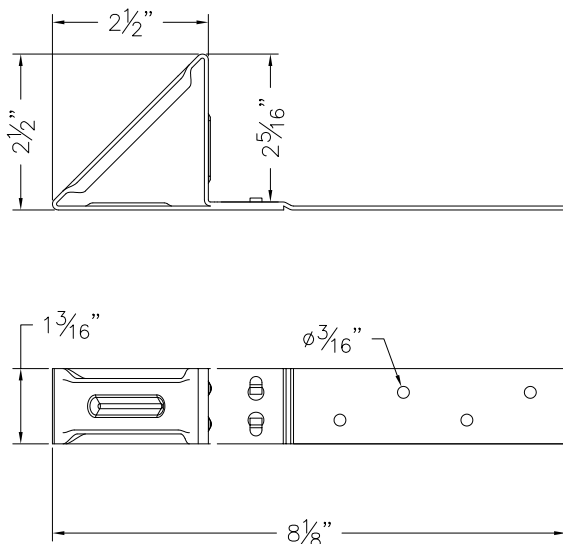
- Zinc Plated
- Powder coating available in many colors visit <http://trasnowandsun.com/color-chart/> to see color chart

NOTE: Due to specific job conditions, TRA Snow and Sun will only warranty a snow retention system/layout that has been designed by TRA Snow and Sun.

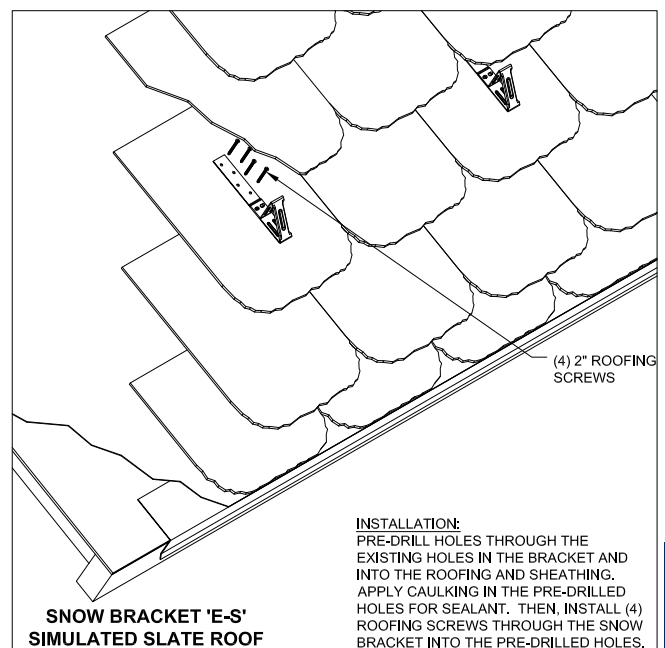


FOR NEW CONSTRUCTION

USED ON: SIMULATED SLATE, SHAKE, ASPHALT SHINGLE & METAL ROOFS



Bracket to be installed using (4) #8 stainless steel screws or roofing nails fastened through roofing material and sheathing below.



INSTALLATION
DO NOT SCALE

SNOW RETENTION SYSTEMS

DIMENSIONS *Dimensions shown are in inches.
DO NOT SCALE