



## SNOW BRACKET™ B CB - APEX

### DESCRIPTION

- Designed for use with concrete or clay tiles 15" in length which are installed using counter batten system
- No fasteners required
- Can be powder coated to match roofing material color
- Overall dimensions: 16-13/16"L X 1-3/16"W X 3" H

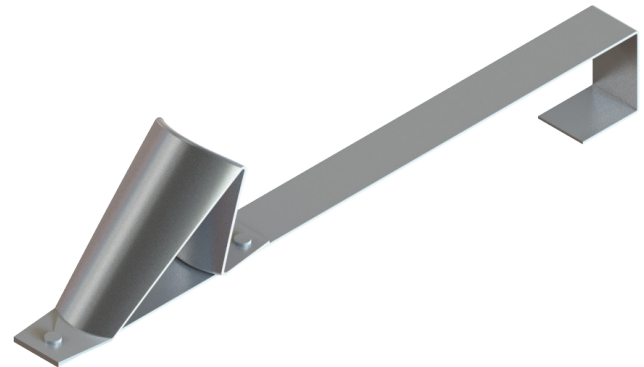
### MATERIALS

- Paintlok Steel: 16 ga
- Copper: 48 oz (ASTM B152)
- Stainless Steel: 16 ga (ASTM A240)

### COLORS/FINISHES

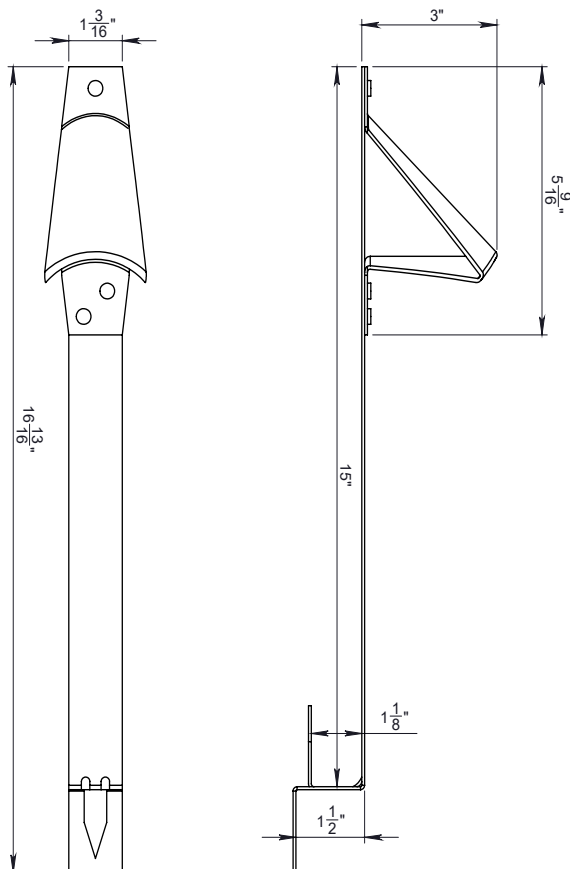
- Zinc Plated
- Powder coating available in many colors visit <http://trasnowandsun.com/color-chart/> to see color chart

**NOTE:** Due to specific job conditions, TRA Snow and Sun will only warranty a snow retention system/layout that has been designed by TRA Snow and Sun.

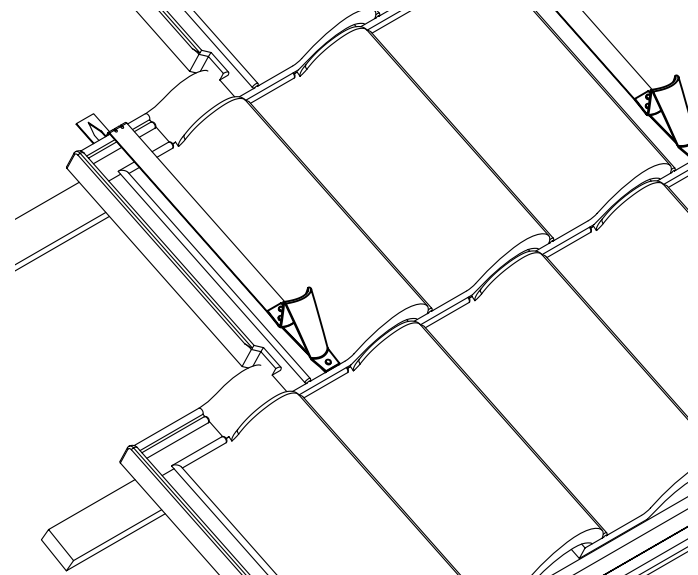


### FOR NEW CONSTRUCTION

**USED ON: BARTILE, VANDE HEY RALEIGH AND OTHER SIMILAR TILES WHICH ARE INSTALLED USING A COUNTER BATTEN SYSTEM**



**DIMENSIONS** \*Dimensions shown are in inches.  
DO NOT SCALE



**INSTALLATION:**  
SNOW BRACKET HOOKS TO UPPER END OF ROOF TILE AND COUNTER BATTEN. BRACKET IS INSTALLED WITH TRIANGULAR END OF BRACKET AT BUTT END OF ROOF TILE AND UPPER END UNDER THE COURSE ABOVE.

**INSTALLATION**  
DO NOT SCALE

**SNOW RETENTION SYSTEMS**