



## SNOW BLOCKER - 3 RAIL

### DESCRIPTION

- Designed for use with exposed fastener metal panel roofing
- Fastens to rafter, purlin, or roof sheathing
- Superior strength
- All roof penetrations that go through the underlayment are required to be flashed or sealed
- Can be powder coated to match roofing material color
- Overall dimensions: 4 1/2" L X 1 5/8" W X 7 3/16" H

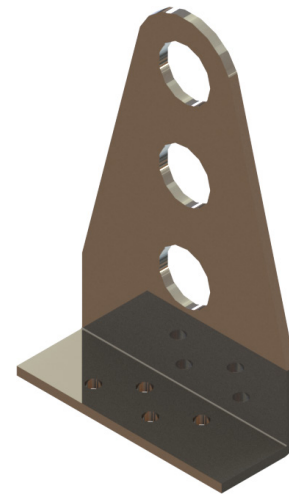
### MATERIALS

- Steel: 3/16" (ASTM A1011 & ASTM A880)
- Copper: 3/8" (ASTM B152)
- Cor-Ten®: 3/16" (ASTM A588)

### COLORS/FINISHES

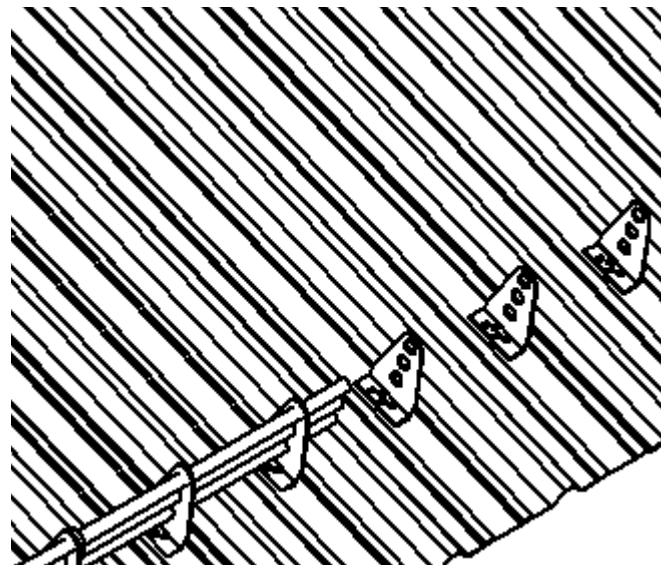
- Raw steel
- Electro-galvanized steel
- Hot-dipped galvanized steel
- Mill finish Copper
- Mill finish Cor-Ten®
- Powder coating available in many colors visit <http://trasnowandsun.com/color-chart/> to see color chart

**NOTE:** Due to specific job conditions, TRA Snow and Sun will only warranty a snow retention system/layout that has been designed by TRA Snow and Sun.



**FOR NEW CONSTRUCTION OR RETROFIT**

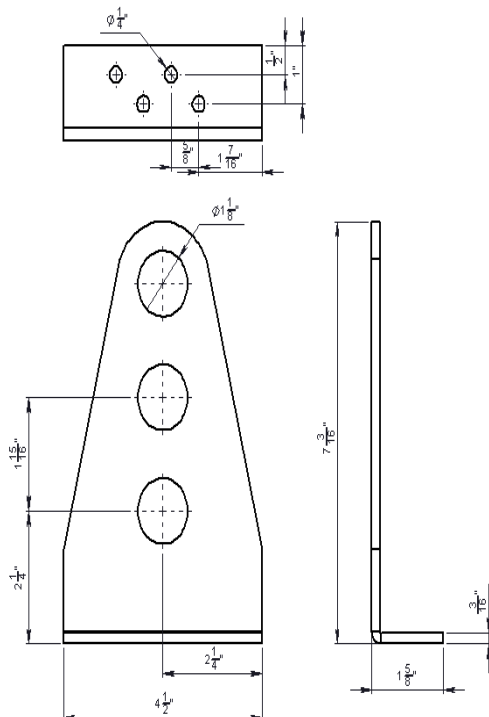
**USED ON: EXPOSED FASTENER METAL PANEL**



Snow Fence Bracket to be installed using (4) #14 fasteners secured to the purlins or roof sheathing. Space Snow Fence Brackets horizontally according to TRA Snow and Sun recommendations. Collars should be installed inside the last bracket and End Caps should be placed at pipe terminations.

\* ALL ROOF PENETRATIONS THAT GO THROUGH THE UNDERLAYMENT ARE REQUIRED TO BE FLASHED OR SEALED.

**INSTALLATION**  
DO NOT SCALE



**DIMENSIONS** \*Dimensions shown are in inches.  
DO NOT SCALE