



SINGLE PLY 3

DESCRIPTION

- Designed for membrane type roof applications
- Must be installed into continuous blocking
- All roof penetrations that go through the underlayment are required to be flashed or sealed Accepts 3/4" (1.0" OD) fence pipe
- Overall dimensions: 7"L X 6"W X 7 3/16"H
- Ice Flags (optional)

MATERIALS - BRACKET

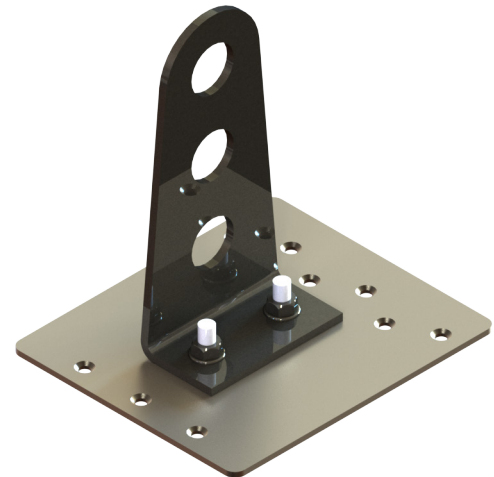
- Steel: 3/16" (ASTM A1011 & A880) w/ Galvannealed Steel **Baseplate**
- Copper: 1/4" (ASTM B125) w/ Stainless Steel **Baseplate**
- Stainless Steel: 3/16" (ASTM A240) w/ Stainless Steel **Baseplate**
- Aluminum: 1/4" (ASTM B209) w/ Stainless Steel **Baseplate**

MATERIALS - BASEPLATE

- Stainless Steel: 10 ga. (ASTM A240) w/ Copper, Aluminum, or Stainless Steel **Bracket**
- Galvannealed Steel: 10 ga. (ASTM A1011 & A880) w/ Steel **Bracket**

COLORS/FINISHES

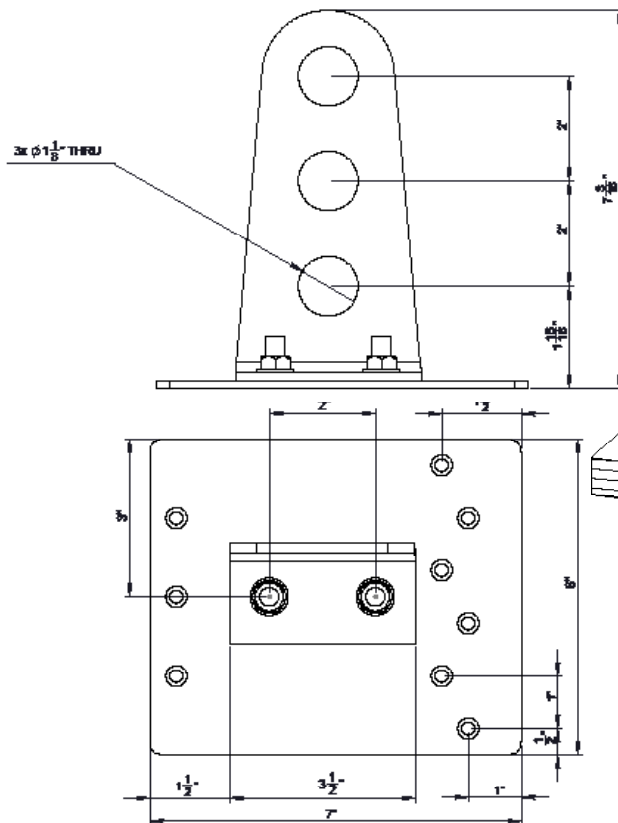
- Electro-Galvanized Steel
- Zinc Plated Steel
- Mill Finish Copper
- Stainless Steel
- Aluminum
- Powder coating available in many colors visit <http://trasnowandsun.com/color-chart/> to see color chart



THREE PIPE SNOW FENCE SYSTEM

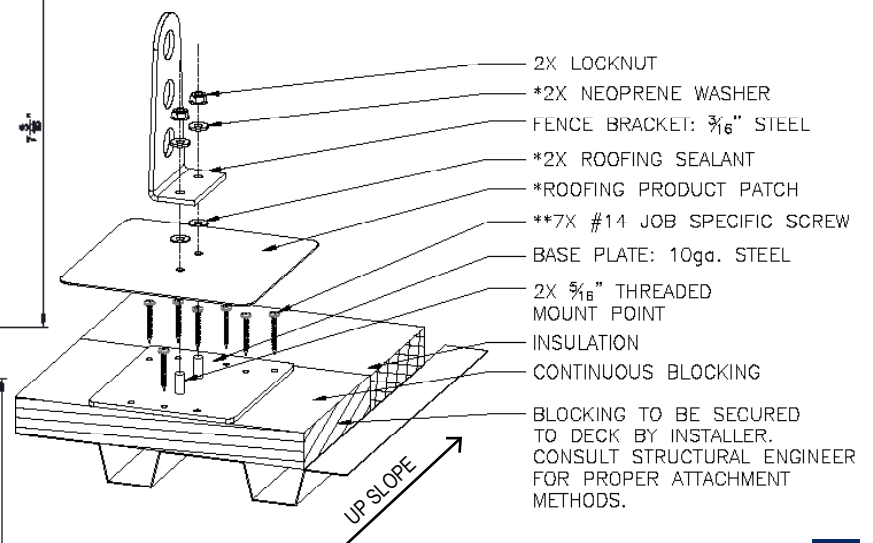
USED ON: EPDM, TPO, AND SIMILAR ROOFING MATERIALS

NOTE: Due to specific job conditions, TRA Snow and Sun will only warranty a snow retention system/layout that has been designed by TRA Snow and Sun.



DIMENSIONS *Dimensions shown are in inches.
DO NOT SCALE

TYPICAL B DECK INSTALL



*Not included, must be supplied by purchaser
**Screws purchased separately

-ALL ROOF PENETRATIONS THAT GO THROUGH THE UNDERLAYMENT ARE REQUIRED TO BE FLASHED OR SEALED.

INSTALLATION DO NOT SCALE

SNOW RETENTION SYSTEMS