



R-1 RAFTER MOUNT

DESCRIPTION

- Designed for stick framed roof types
- Accepts 1" (1.315"OD) fence pipe
- Installed using (4) 3/8" Lag bolts
- Must be installed into structural roof member such as a truss or rafter beam
- All roof penetrations that go through the underlayment are required to be flashed or sealed
- Ice Flags as option
- Powder coated to match roofing material color
- Overall dimensions: 22 1/2"L X 1/4"W X 24 1/2"H

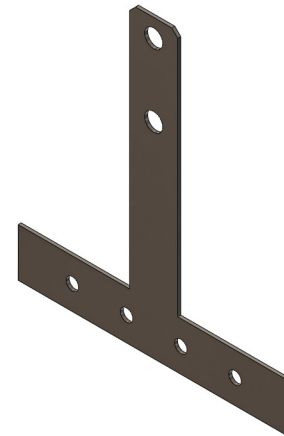
MATERIALS

- 1/4" Steel (ASTM A1011 ASTM A880)

COLORS/FINISHES

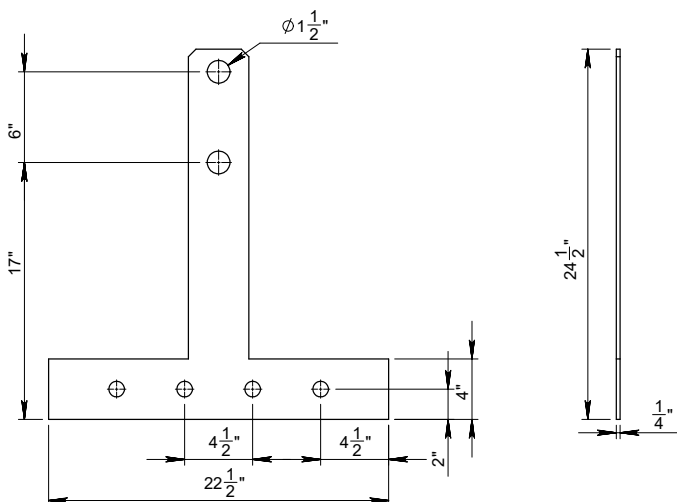
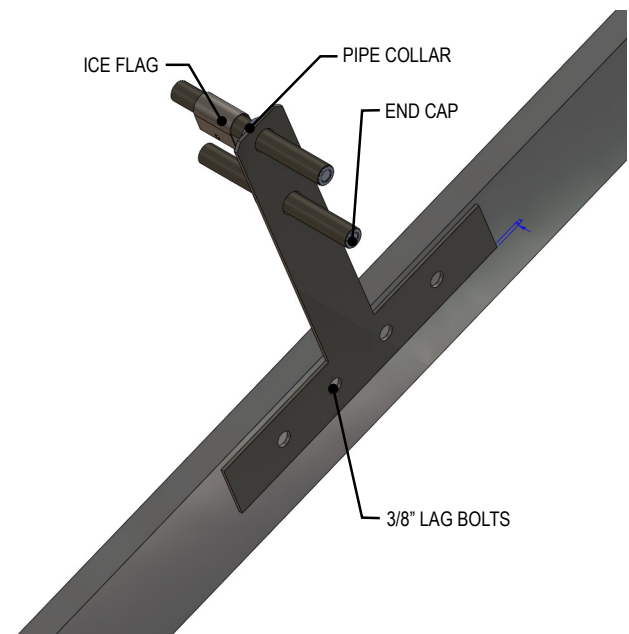
- Zinc plated steel (ASTM B 633, Type II, SC3)
- Powder coating available in many colors visit <http://trasnowandsun.com/color-chart/> to see color chart

NOTE: Due to specific job conditions, TRA Snow and Sun will only warranty a snow retention system/layout that has been designed by TRA Snow and Sun.



2 PIPE SNOW FENCE SYSTEM

USED ON: ROOF MATERIAL TYPES WITH TRUSS/RAFTERS



* ALL ROOF PENETRATIONS THAT GO THROUGH THE UNDERLAYMENT ARE REQUIRED TO BE FLASHED OR SEALED.

INSTALLATION DO NOT SCALE

SNOW RETENTION SYSTEMS