

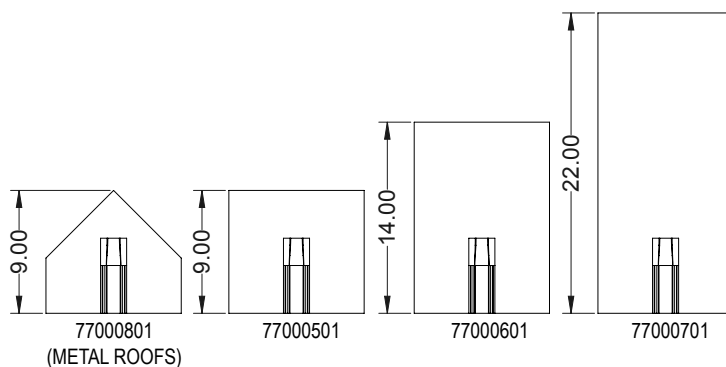
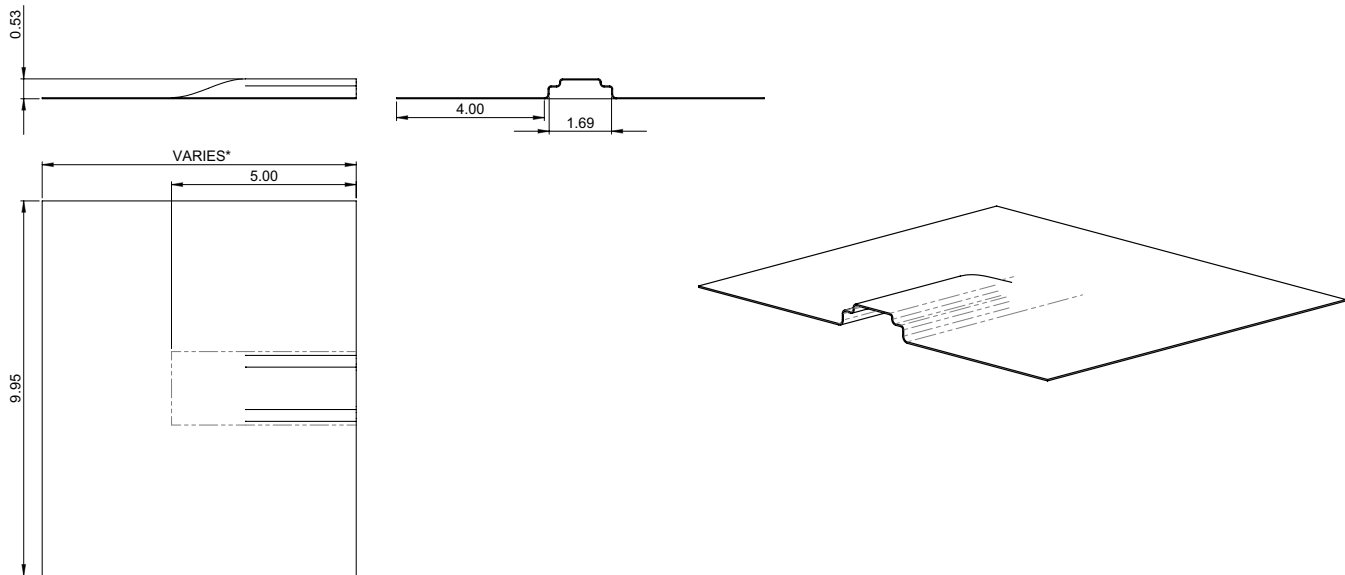


FLASHING

TECHNICAL SPECIFICATIONS

Part Number	77000501, 77000601, 77000701, 77000801
Material	3003 H14 Aluminum: 0.040" (ASTM B209)
Finishes	Mill finish
Companion Parts	All TRA Snow and Sun Flush Mounts
Compatible Solar Modules	All major brands
Warranty	25 Years (See warranty documentation for conditions)

NOTE: Dimensions shown are in inches unless otherwise noted



Note: The 45° edges on **77000801** must be chaulked with butyl chalk after installation

* Length depends on roofing material type and exposure. Flashing must be installed in accordance with standard local and national building codes.