



D-TIMBER DECK MOUNT

DESCRIPTION

- Designed for use in new construction applications
- Manufactured for 4"x4", 6"x6", 8"x8" or 12"x12" timber sizes
- Can be used with most common roofing materials
- Fastens to rafter, purlin, or other structural roof member
- Superior strength
- All roof penetrations that go through the underlayment are required to be flashed or sealed
- Can be powder coated to match roofing material color
- Overall dimensions:
 - 4" X 4" Timber: 1-3/4"W X 8"H X 15"L
 - 6" X 6" Timber: 1-3/4"W X 11-1/8"H X 15-1/4"L
 - 8" X 8" Timber: 1-3/4"W X 13-7/8"H X 20"L
 - 12" X 12" Timber: 1-3/4"W X 19-7/16"H X 20-5/8"L

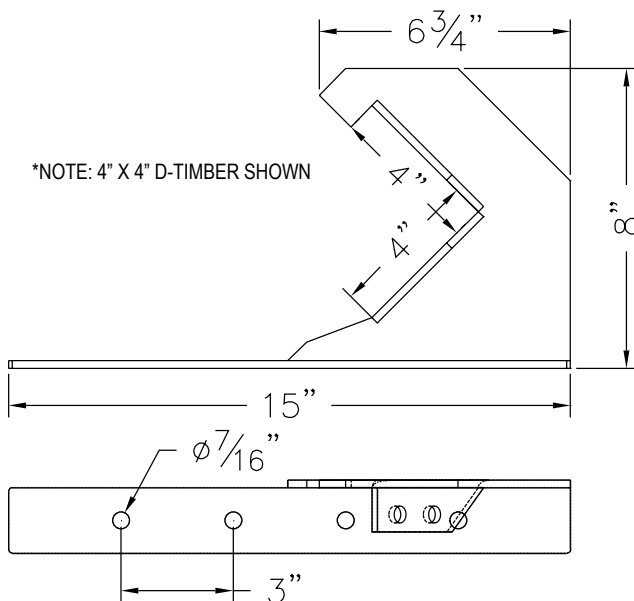
MATERIALS

- Steel: 1/4" (ASTM A1011 & ASTM A880)
- Copper: 1/4" (ASTM B152)
- Cor-Ten®: 1/4" (ASTM A588)

COLORS/FINISHES

- Raw steel
- Electro-galvanized steel
- Hot-dipped galvanized steel
- Mill finish Copper
- Mill finish Cor-Ten®
- Powder coating available in many colors visit <http://trasnowandsun.com/color-chart/> to see color chart

NOTE: Due to specific job conditions, TRA Snow and Sun will only warranty a snow retention system/layout that has been designed by TRA Snow and Sun.

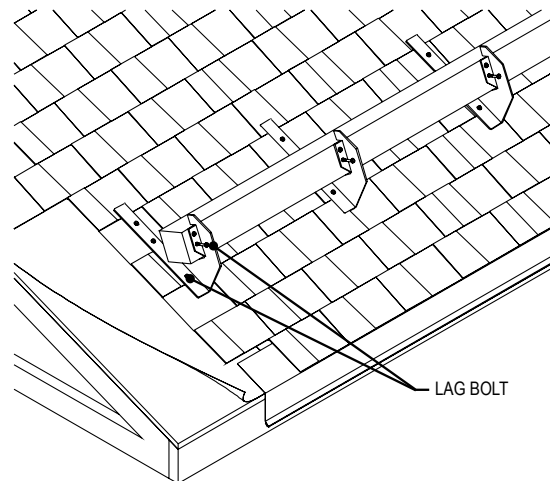


DIMENSIONS *Dimensions shown are in inches.
DO NOT SCALE



FOR NEW CONSTRUCTION

USED ON: MOST ROOF MATERIAL TYPES WITH WOOD FRAMING



Fence bracket to be installed using (4) 3/8" x 4" (or longer) lag bolts fastened into roof truss, rafter, purlin or other structural roof member. Fasteners should penetrate structural member no less than 2-3/4". (2) Lag bolts are also required to secure timber to fence bracket through tab provided.

* ALL ROOF PENETRATIONS THAT GO THROUGH THE UNDERLAYMENT ARE REQUIRED TO BE FLASHED OR SEALED.

INSTALLATION DO NOT SCALE

SNOW RETENTION SYSTEMS