



SNOW DIAMOND RAIL

DESCRIPTION

- Designed for standing seam metal roofs
- Available for all rib types including: Double Lock, Single Lock, Snap Lock, Skyline, etc
- Powder coated to match roofing material color
- Overall dimensions: 10'L X 3/4"W X 3/4"H
- Thickness .065"

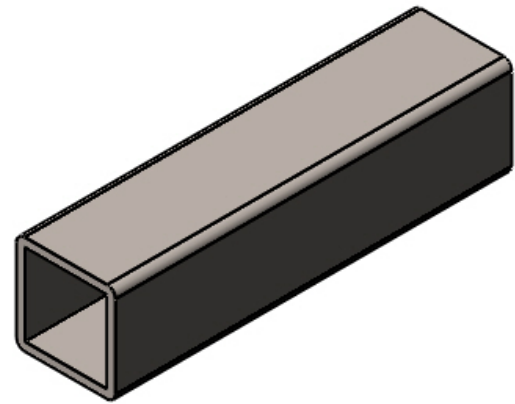
MATERIALS

- Steel: (ASTM A36)
- Stainless Steel: (ASTM A666-03)

COLORS/FINISHES

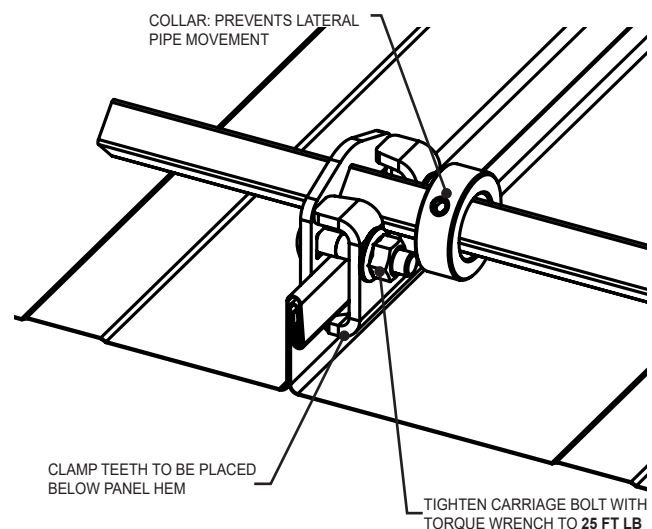
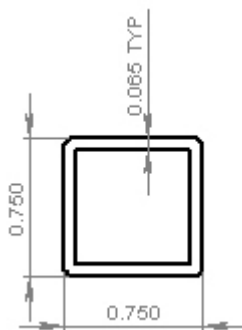
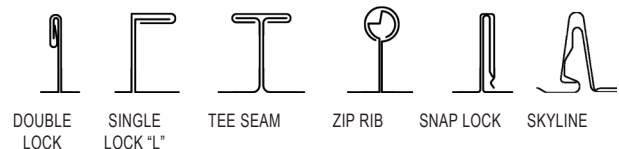
- Raw steel
- Electro-galvanized steel
- Hot-dipped galvanized steel
- Mill finish Stainless Steel
- Powder coating available in many colors visit <http://trasnowandsun.com/color-chart/> to see color chart

NOTE: Due to specific job conditions, TRA Snow and Sun will only warranty a snow retention system/layout that has been designed by TRA Snow and Sun.



RAIL

USED WITH: SNOW DIAMOND CLAMP ON



INSTALLATION DO NOT SCALE

DIMENSIONS *Dimensions shown are in inches.
DO NOT SCALE