



SNOW BRACKET™ I (CREST) - APEX

DESCRIPTION

- Designed for use on corrugated metal roofs
- Bracket tail bent to match panel corrugation
- Installed using (2) #14 fasteners
- Can be powder coated to match roofing material color
- Overall dimensions: 11-9/16" L X 2-1/4" W X 2-61/64" H

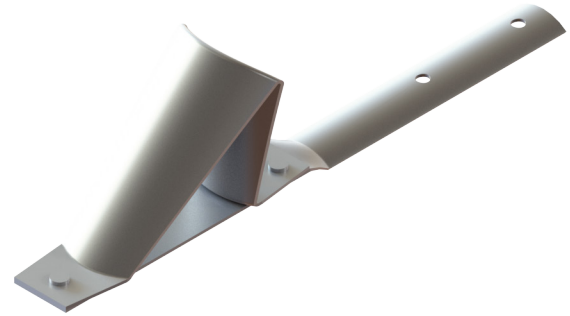
MATERIALS

- Steel: 16 ga (ASTM A653)
- Copper: 48 oz (ASTM B152)
- Cor-Ten®: 16 ga (ASTM A606)
- Stainless Steel: 16 ga (ASTM A240)
- Aluminum: .063" (ASTM B209)

COLORS/FINISHES

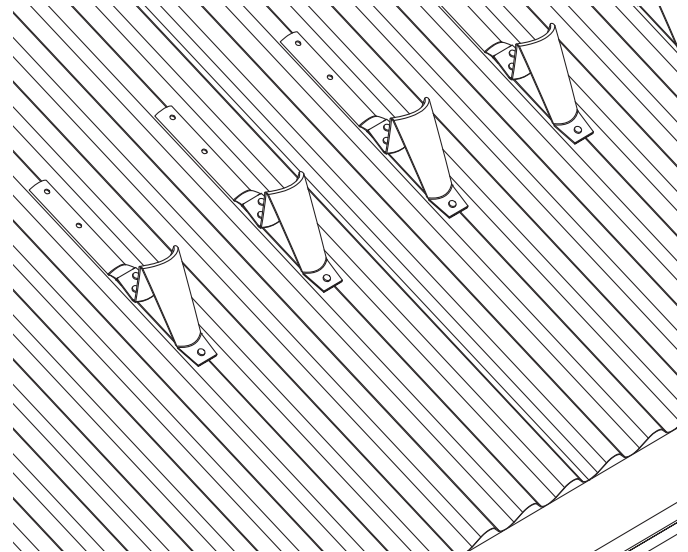
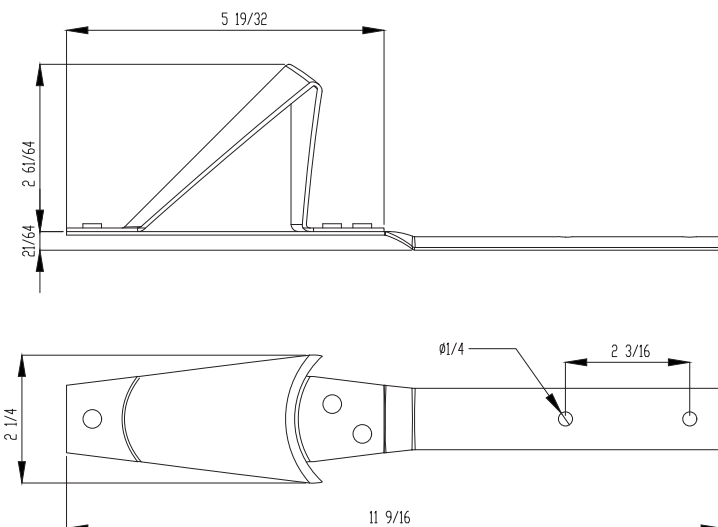
- Electro-galvanized steel
- Hot-dipped galvanized steel
- Mill finish Aluminum
- Mill finish Copper
- Mill finish Cor-Ten®
- Powder coating available in many colors visit <http://trasnowandsun.com/color-chart/> to see color chart

NOTE: Due to specific job conditions, TRA Snow and Sun will only warranty a snow retention system/layout that has been designed by TRA Snow and Sun.



FOR NEW CONSTRUCTION OR RETROFIT

USED ON: CORRUGATED METAL



Bracket installed using (2) #14 screws fastened through roof material and sheathing below. Bracket installed with triangular portion of bracket towards roof eave.

INSTALLATION
DO NOT SCALE

SNOW RETENTION SYSTEMS

DIMENSIONS *Dimensions shown are in inches.
DO NOT SCALE