



## CLAMP-ON MUSHROOM

### DESCRIPTION

- Designed for standing seam metal roofs
- Available for rib types including: Double Lock, Single Lock, Snap Lock, Skyline
- Allows for full installation without penetration of the roof surface
- Powder coated to match roofing material color
- Overall dimensions: 4.68"L X 6.13"W X 5.736"(VAR)H
- Height (HT) of clamp varies based on rib type and height
- 3/8" Dia X 1-3/4" or 2" carriage bolt (2)

### MATERIALS

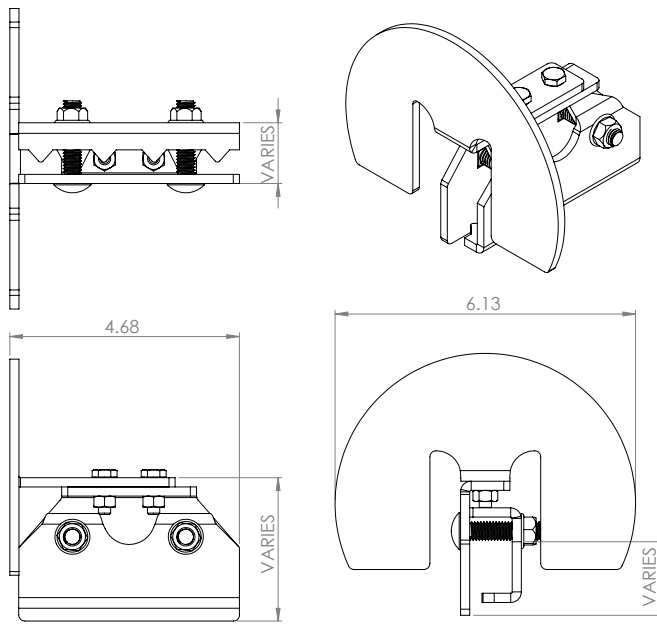
- Steel: 3/16" (ASTM A36)
- Copper: 1/4" (ASTM B152)
- Aluminum: 1/4" (ASTM B209)
- Cor-Ten®: 3/16" (ASTM A588)

### COLORS/FINISHES

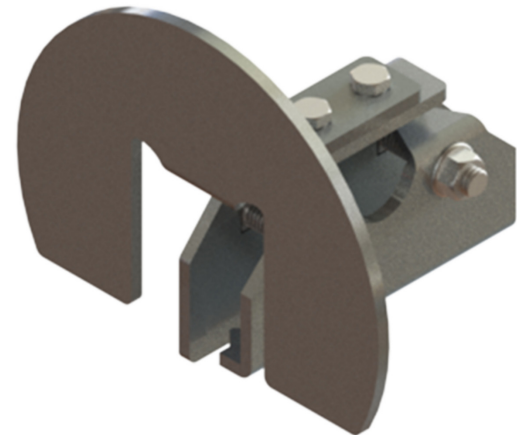
- Raw Steel
- Electro-Galvanized Steel
- Hot-Dipped Galvanized Steel
- Mill Finish Aluminum
- Mill Finish Copper
- Mill Finish Cor-Ten®
- Powder coating available in many colors visit <http://trasnowandsun.com/color-chart/> to see color chart

**NOTE:** Due to specific job conditions, TRA Snow and Sun will only warranty a snow retention system/layout that has been designed by TRA Snow and Sun.

\* These dimensions vary based on the panel rib type and height

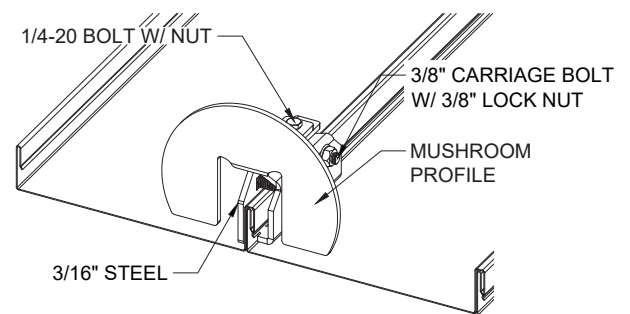
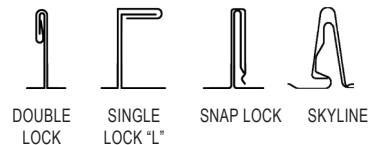


**DIMENSIONS** \*Dimensions shown are in inches.  
DO NOT SCALE



### FOR NEW CONSTRUCTION AND RETROFIT

### USED ON: STANDING SEAM METAL



CLAMP THE SNOW BRACKET TO THE RIB BY USING A TORQUE WRENCH WITH 25 FT - LBS. OF PRESSURE APPLIED TO EACH BOLT. FOR SPECIFIC ENGINEERING AND PLACEMENT CALL TRA SNOW AND SUN (800)606-8980.

**INSTALLATION**  
DO NOT SCALE

**SNOW RETENTION SYSTEMS**