



## C42Z CLAMP-ON

### DESCRIPTION

- Designed for standing seam metal roofs
- Available for rib types including: Tee Seam, Zip Rib, Batten Lock
- Accepts 3/4" fence pipe
- Allows for full installation without any penetration of the roof surface
- Allows for expansion and contraction of panel
- Powder coated to match roofing material color
- Overall dimensions: 4-1/2"L X 1-1/2"W X 4-9/16"H
- Height of clamp may vary based on rib type and height
- 3/8" Dia X 1-3/4" or 2" carriage bolt (2)

### MATERIALS

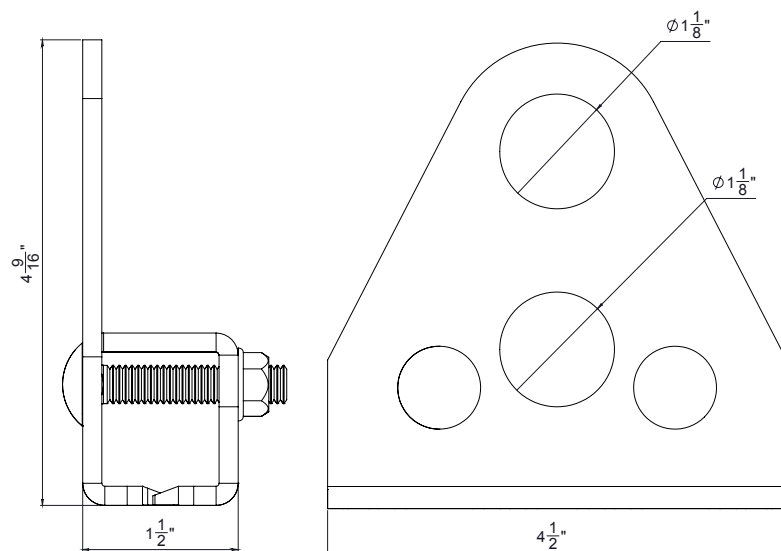
- Steel: 3/16" (ASTM A36)
- Copper: 1/4" (ASTM B152)
- Aluminum: 1/4" (ASTM B209)
- Cor-Ten®: 3/16" (ASTM A588)
- Stainless Steel: 8 ga. (ASTM A240)

### COLORS/FINISHES

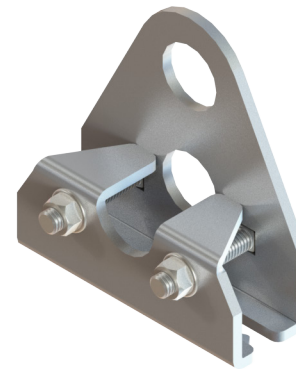
- Raw Steel
- Electro-Galvanized Steel
- Hot-Dipped Galvanized Steel
- Mill Finish aluminum
- Mill Finish copper
- Mill Finish Cor-Ten®
- Stainless Steel
- Powder coating available in many colors visit <http://trasnowandsun.com/color-chart/> to see color chart

**NOTE:** Due to specific job conditions, TRA Snow and Sun will only warranty a snow retention system/layout that has been designed by TRA Snow and Sun.

\* These dimensions may vary based on the panel rib type and height

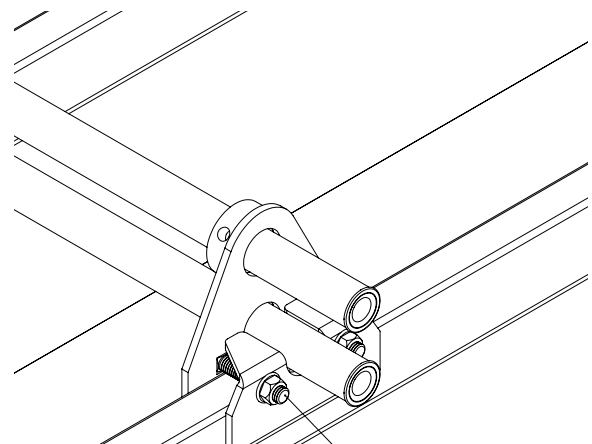
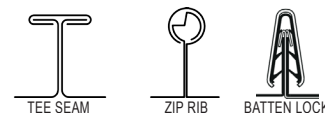


**DIMENSIONS** \*Dimensions shown are in inches.  
DO NOT SCALE



## 2 RAIL STANDING SEAM SNOW FENCE

### USED ON: STANDING SEAM METAL



TIGHTEN WITH TORQUE WRENCH TO 25 FT LBS.

**INSTALLATION**  
DO NOT SCALE

**SNOW RETENTION SYSTEMS**