



## C31Z CLAMP-ON

### DESCRIPTION

- Designed for standing seam metal roofs
- Available for all rib types including: Single Lock, Tee Seam, Zip Rib, etc.
- Accepts 3/4" fence pipe
- Allows for full installation without any penetration of the roof surface
- Powder coated to match roofing material color
- Overall dimensions: 5.19"L X 1-15/16"W X VAR height
- Dimensions of clamp vary based on rib type and height
- 3/8" Dia X 1-3/4" or 2" carriage bolt (2)

### MATERIALS

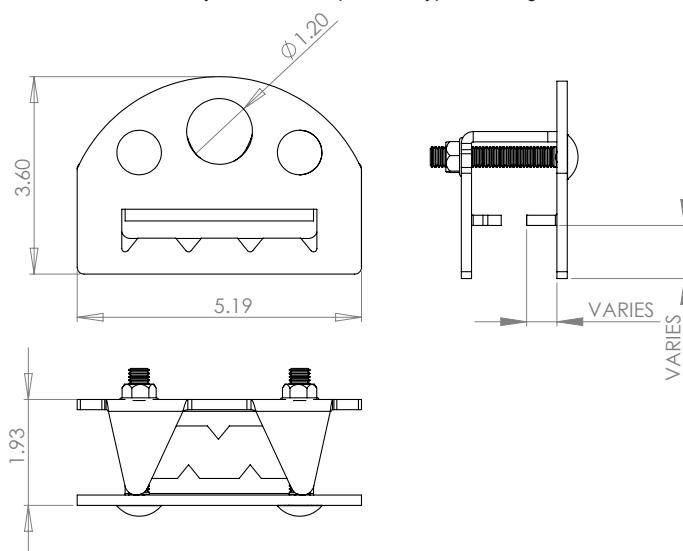
- Steel: 3/16" (ASTM A1011 & ASTM A880)
- Copper: 1/4" (ASTM B152)
- Aluminum: 1/4" (ASTM B209)
- Cor-Ten®: 3/16" (ASTM A588)
- Stainless Steel: 8 ga. (ASTM A240)

### COLORS/FINISHES

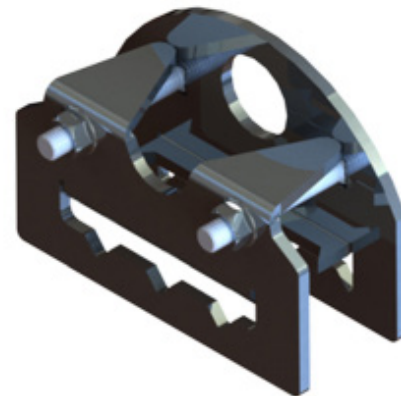
- Raw steel
- Electro-galvanized steel
- Hot-dipped galvanized steel
- Mill finish Aluminum
- Mill finish Copper
- Mill finish Cor-Ten®
- Stainless Steel
- Powder coating available in many colors visit <http://trasnowandsun.com/color-chart/> to see color chart

**NOTE:** Due to specific job conditions, TRA Snow and Sun will only warranty a snow retention system/layout that has been designed by TRA Snow and Sun.

\* These dimensions vary based on the panel rib type and height

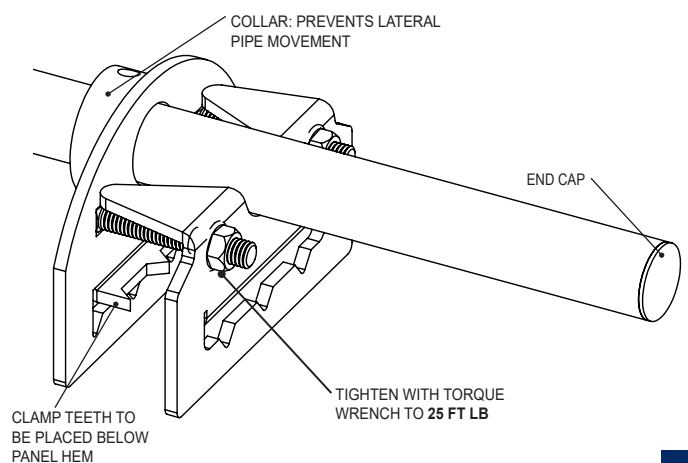
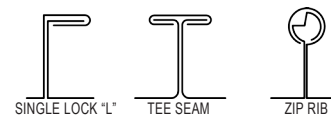


**DIMENSIONS** \*Dimensions shown are in inches.  
DO NOT SCALE



### 1 RAIL STANDING SEAM SNOW FENCE

### USED ON: STANDING SEAM METAL



### INSTALLATION DO NOT SCALE

## SNOW RETENTION SYSTEMS