



C21Z CLAMP-ON

DESCRIPTION

- Designed for standing seam metal roofs
- Available for rib types including: Double Lock, Single Lock, Snap Lock, Skyline, etc
- Accepts 3/4" fence pipe
- Allows for full installation without any penetration of the roof surface
- Powder coated to match roofing material color
- Overall dimensions: 4-3/8"L X 1-3/16"W X VAR height
- Height of clamp varies based on rib type and height
- 3/8" Dia X 1-3/4" or 2" carriage bolt (2)
- Weight: 1.4 pounds

MATERIALS

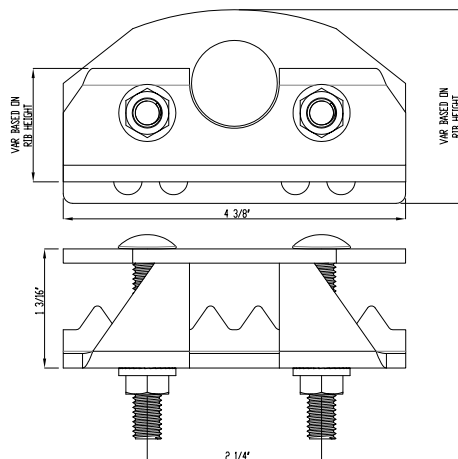
- Steel: 3/16" (ASTM A36)
- Copper: 1/4" (ASTM B152)
- Aluminum: 1/4" (ASTM B209)
- Cor-Ten®: 3/16" (ASTM A588)
- Stainless Steel: 8ga. (ASTM A240)

COLORS/FINISHES

- Raw steel
- Electro-galvanized steel
- Hot-dipped galvanized steel
- Mill finish Aluminum
- Mill finish Copper
- Mill finish Cor-Ten®
- Stainless Steel
- Powder coating available in many colors visit <http://trasnowandsun.com/color-chart/> to see color chart

NOTE: Due to specific job conditions, TRA Snow and Sun will only warranty a snow retention system/layout that has been designed by TRA Snow and Sun.

* These dimensions vary based on the panel rib type and height

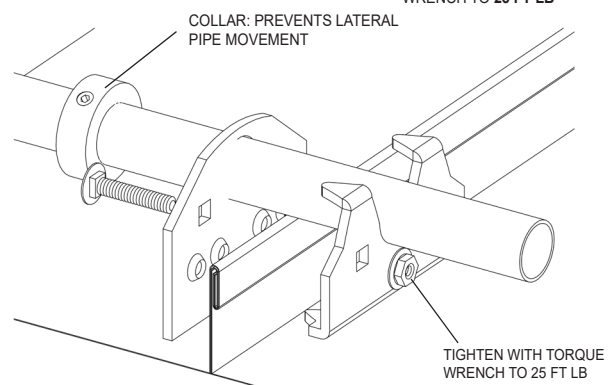
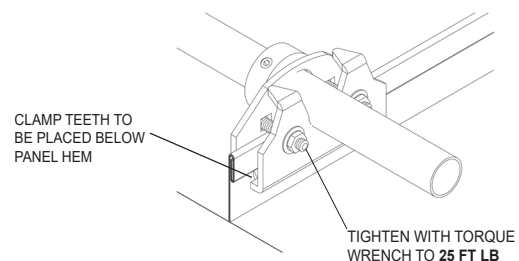
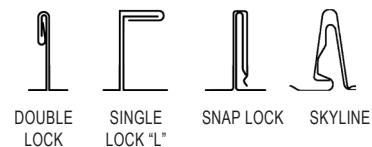


DIMENSIONS *Dimensions shown are in inches.
DO NOT SCALE



1 RAIL STANDING SEAM SNOW FENCE

USED ON: STANDING SEAM METAL



INSTALLATION
DO NOT SCALE

SNOW RETENTION SYSTEMS