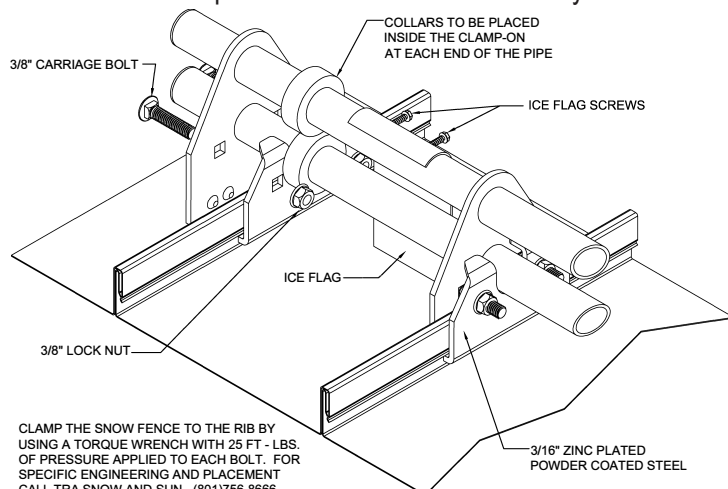
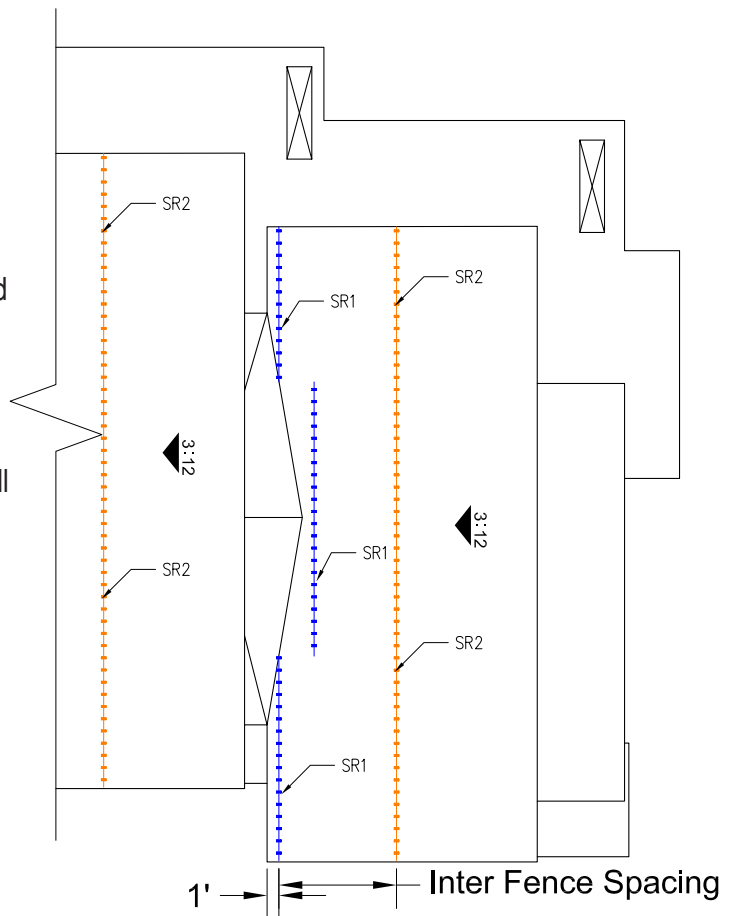


STANDING SEAM SNOW FENCE INSTALLATION GUIDE

The guidelines in this document are meant to be general rules regarding snow retention and its' applications. While these guidelines should be strictly adhered to, there may be times when it is impractical to do so or job conditions dictate that exceptions be made. In these cases, the contractor should contact the manufacturer for special instructions. **At the very minimum we strongly recommend these guidelines be followed:**

1. Drop a chalk line on roof at 12" from the eave or the proper spacing from last fence.
2. Count the number of clamps to be used on one length of fence pipe and slide clamps on to pipe.
3. If at start or end of a fence section (max 50') place collar(s) on the inside of the first/last clamp.
4. Position clamps on chalk line ensuring the teeth of the clamp are on the open side of the seam. (The teeth should fit snugly under the finished hem)
5. Locate clamps on the seams and tighten the clamps just enough to prevent movement.
6. Ensure the clamps are true to the chalk line (adjust if necessary) and using a calibrated torque wrench torque all bolts to 25 ft-lbs.
7. Slide the collar to fit snugly against the first or last clamp and torque set screw to approximately 15 ft-lbs.
8. If snow fence run is longer than 50', an expansion joint is required of 3-6 inches.
9. Upon terminating if necessary, cut off access pipe and seal cut end with weather proof sealant to prevent corrosion.
10. Install End caps into pipe ends, caps should compression fit inside ends, tap with a hammer and remove any metal burrs or excess paint with metal file if necessary.



CLAMP THE SNOW FENCE TO THE RIB BY USING A TORQUE WRENCH WITH 25 FT - LBS. OF PRESSURE APPLIED TO EACH BOLT. FOR SPECIFIC ENGINEERING AND PLACEMENT CALL TRA SNOW AND SUN. (801)756-8666.

Tools Needed:

- Tape Measure
- Chalk Line
- 9/16" Socket (possible deep throat needed)
- Torque Wrench (calibrated to 25 ft-lbs)
- Allen wrench set
- Hammer
- Round Metal File (optional)