



COLLAR - 3/4" PIPE

DESCRIPTION

- A collar that prevents the pipe from moving between the fence brackets
- Installed using a set-screw (Included)
- Accepts 3/4" (1.0" OD) fence pipe
- Overall dimensions: 1 1/16" Inside Diameter 1 11/16" Outside Diameter
- Weight: 0.25 pounds

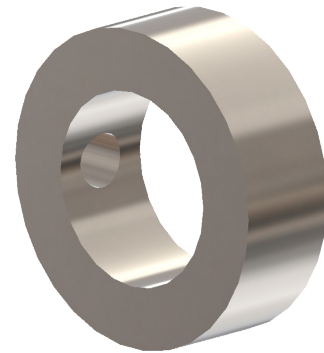
MATERIALS

- Zinc Plated Steel
- Stainless Steel
- Raw Steel

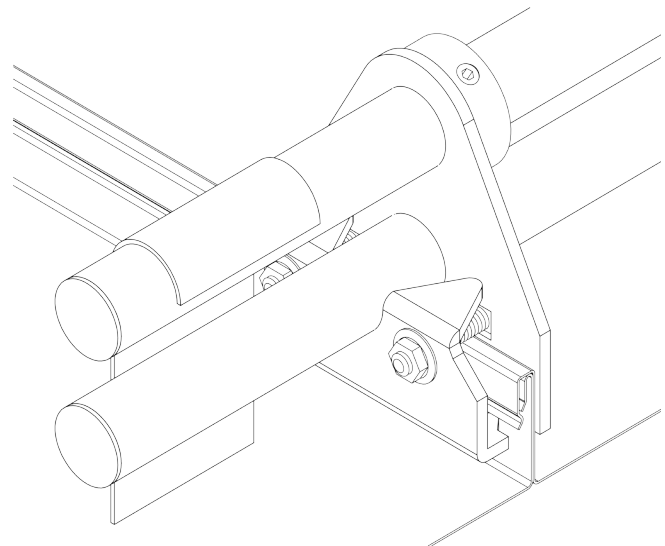
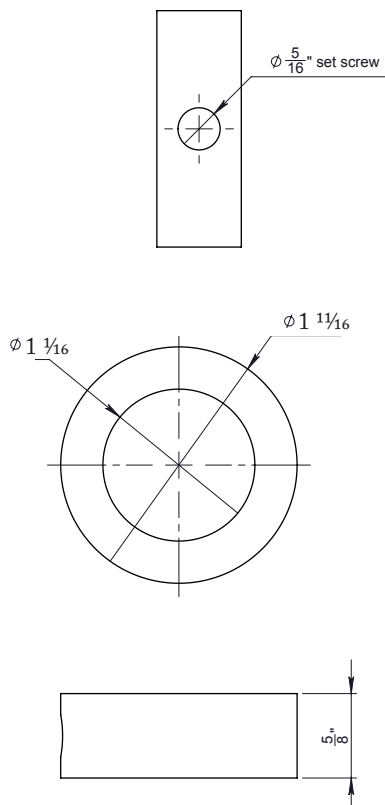
COLORS/FINISHES

- Zinc Plated Steel
- Mill Finish Stainless Steel
- Raw Steel
- Powder coating available in many colors visit <http://trasnowandsun/colorchart/> to see color chart

NOTE: Due to specific job conditions, TRA Snow and Sun will only warranty a snow retention system/layout that has been designed by TRA Snow and Sun.



USED ON: 3/4 INCH PIPE SNOW FENCE SYSTEMS



INSTALLATION
DO NOT SCALE

SNOW RETENTION SYSTEMS

DIMENSIONS *Dimensions shown are in inches.
DO NOT SCALE