



COLLAR - 1" PIPE

DESCRIPTION

- A collar that prevents the pipe from moving between the fence brackets
- Installed using a set-screw (Included)
- Accepts 1" (1.315OD) fence pipe
- Overall dimensions: 1 3/8" Inside Diameter 2 1/8" Outside Diameter
- Weight: .25 pounds

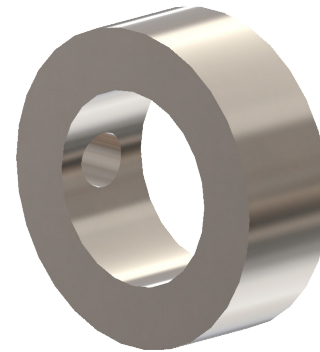
MATERIALS

- Zinc Plated Steel
- Stainless Steel
- Raw Steel

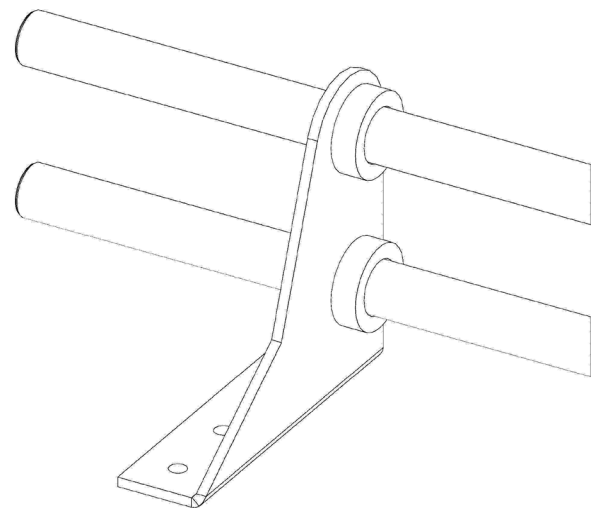
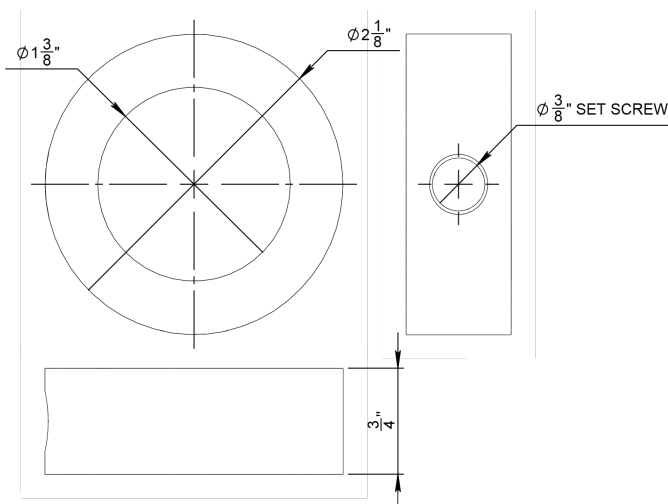
COLORS/FINISHES

- Zinc Plated Steel
- Mill Finish Stainless Steel
- Raw Steel
- Powder coating available in many colors visit <http://trasnowandsun/colorchart/> to see color chart

NOTE: Due to specific job conditions, TRA Snow and Sun will only warranty a snow retention system/layout that has been designed by TRA Snow and Sun.



USED ON: 1 INCH PIPE SNOW FENCE SYSTEMS



INSTALLATION
DO NOT SCALE

SNOW RETENTION SYSTEMS

DIMENSIONS *Dimensions shown are in inches.
DO NOT SCALE