



SINGLE PLY 3

DESCRIPTION

- Designed for membrane type roof applications
- Accepts 3/4" SCH 40 fence pipe
- Must be installed into continuous blocking
- Ice Flags as option
- Powder coated to match roofing material color
- Overall dimensions: 7" L X 6" W X 7 1/4" H

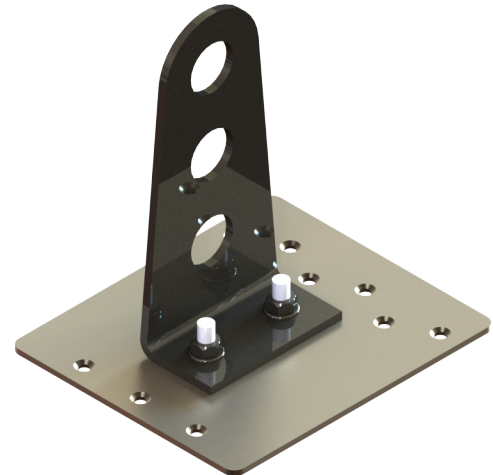
MATERIALS

- Steel: 3/16" (ASTM A1011 & A880)
- Copper: 1/4" (ASTM B125)
- 304 Stainless Steel
- Aluminum

COLORS/FINISHES

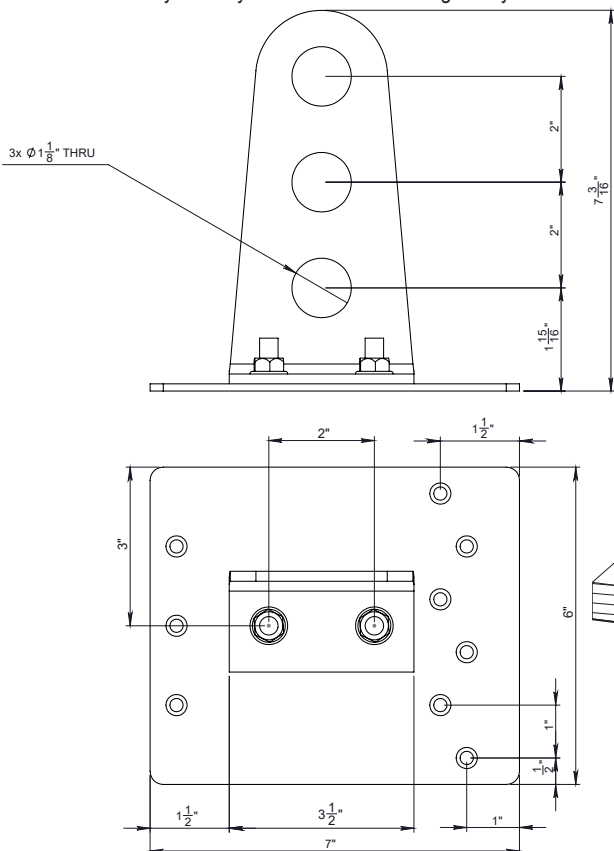
- Electro-galvanized steel
- Hot-dipped galvanized steel
- Mill finish Copper
- Powder coating available in many colors visit <http://trasnowandsun.com/color-chart/> to see color chart

NOTE: Due to specific job conditions, TRA Snow and Sun will only warranty a snow retention system/layout that has been designed by TRA Snow and Sun.



3 PIPE SNOW FENCE SYSTEM

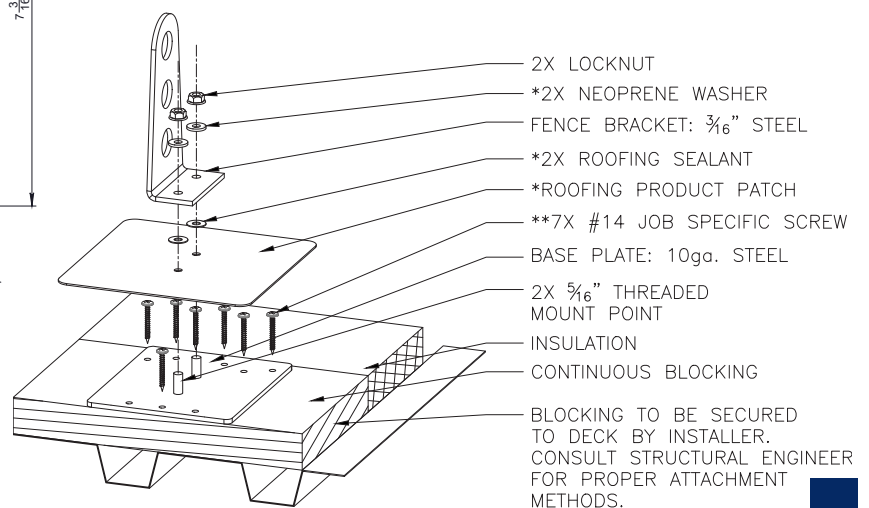
USED ON: EPDM, TPO, AND SIMILAR ROOFING MATERIALS



DIMENSIONS

*Dimensions shown are in inches.

DO NOT SCALE



*Patches not included, must be supplied by purchaser

**Screws purchased separately

INSTALLATION

DO NOT SCALE

SNOW RETENTION SYSTEMS