



## SINGLE PLY 1

### DESCRIPTION

- Designed for membrane type roof applications
- Accepts 3/4" SCH 40 fence pipe
- Must be installed into continuous blocking
- Ice Flags as option
- Powder coated to match roofing material color
- Overall dimensions: 7"L X 6"W X 5 1/16"H

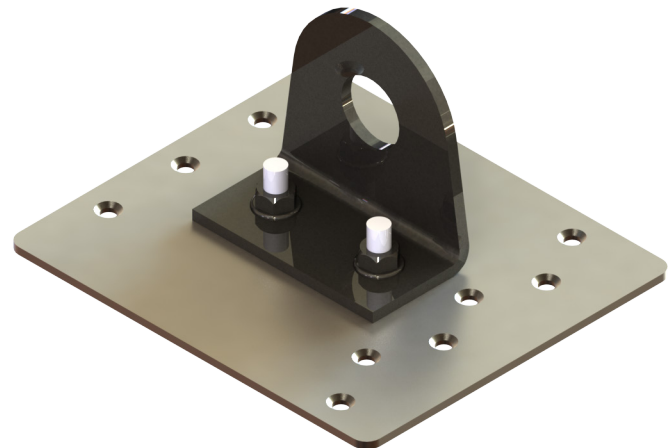
### MATERIALS

- Steel : 3/16" (ASTM A1011 & A880)
- Copper : 1/4" (ASTM B125)
- 304 Stainless Steel
- Aluminum

### COLORS/FINISHES

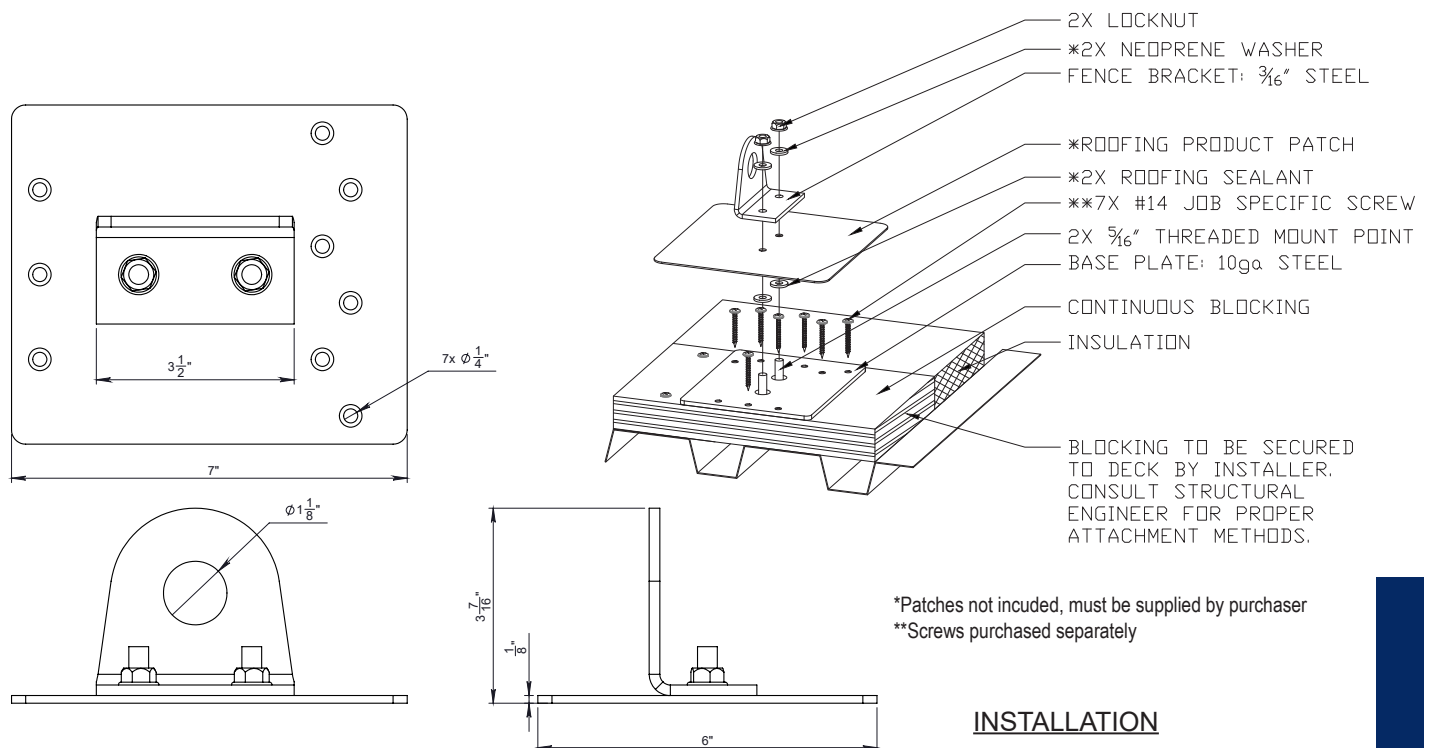
- Electro-galvanized steel
- Hot-dipped galvanized steel
- Mill finish Copper
- Powder coating available in many colors visit <http://trasnowandsun.com/color-chart/> to see color chart

**NOTE:** Due to specific job conditions, TRA Snow and Sun will only warranty a snow retention system/layout that has been designed by TRA Snow and Sun.



### 1 PIPE SNOW FENCE SYSTEM

**USED ON: EPDM, TPO, AND SIMILAR ROOFING MATERIALS**



\*Patches not included, must be supplied by purchaser  
 \*\*Screws purchased separately

### INSTALLATION

DO NOT SCALE

## SNOW RETENTION SYSTEMS

\*Dimensions shown are in inches.

### DIMENSIONS

DO NOT SCALE