



RidgeRiser®

DESCRIPTION

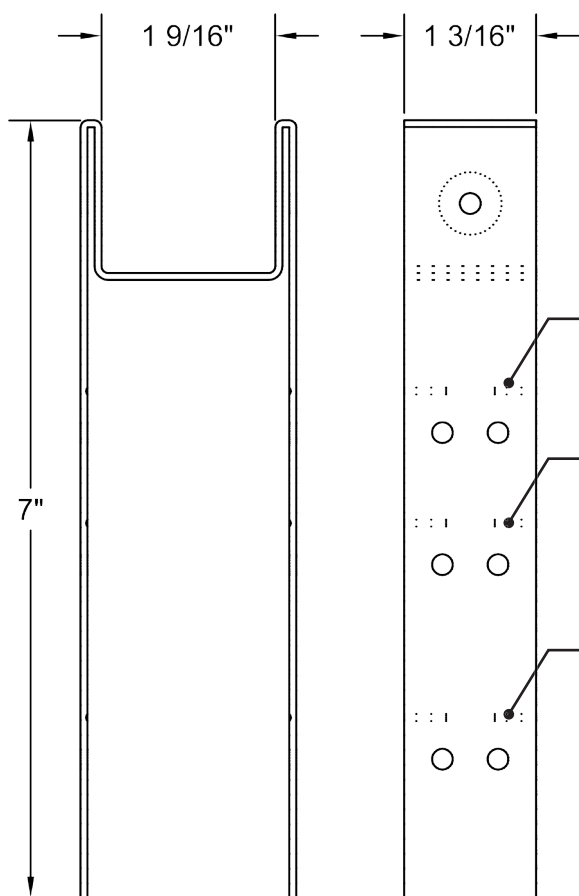
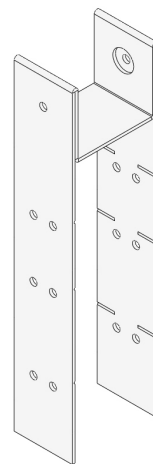
- Designed for concrete or clay tile roofs
- Pre-scored bend lines for adjustable height and slope
- Accepts 2" X 2" nominal nailer board
- Overall dimensions: 1-3/16"L X 1-15/16" W X 7" H

MATERIALS

- 16 ga. Galvanized Steel
- 304 SS

COLORS/FINISHES

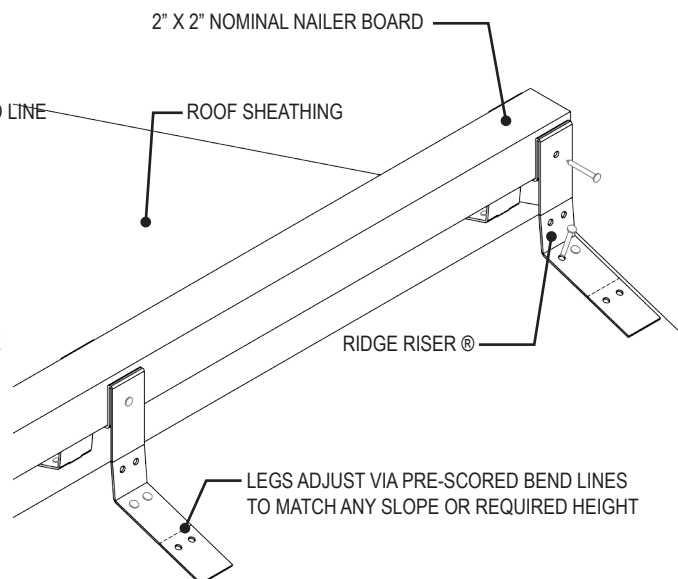
- Galvanized Steel



DIMENSIONS

DO NOT SCALE

USED ON: CONCRETE & CLAY TILE ROOFS



INSTALLATION

DO NOT SCALE