



## SINGLE PLY 2

### DESCRIPTION

- Designed for membrane type roof applications
- Accepts 3/4" SCH 40 fence pipe
- Must be installed into continuous blocking
- Ice Flags as option
- Powder coated to match roofing material color
- Overall dimensions: 7" L X 6" W X 5 1/16" H

### MATERIALS

- Steel :: 3/16" (ASTM A1011 & A880)
- Copper :: 1/4" (ASTM B125)

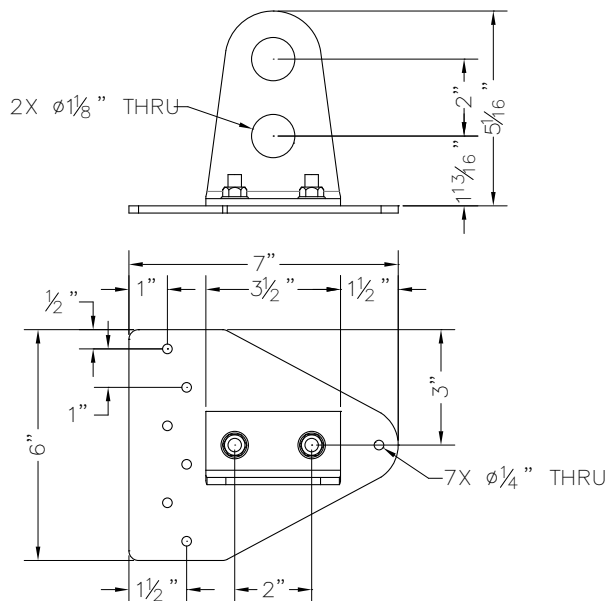
### COLORS/FINISHES

- Electro-galvanized steel
- Hot-dipped galvanized steel
- Mill finish Copper
- Powder coating available in many colors visit <http://trasnowandsun.com/color-chart/> to see color chart

**NOTE:** Due to specific job conditions, TRA Snow and Sun will only warranty a snow retention system/layout that has been designed by TRA Snow and Sun.

\*Patches not included, must be supplied by purchaser

\*\*Screws purchased separately



### DIMENSIONS

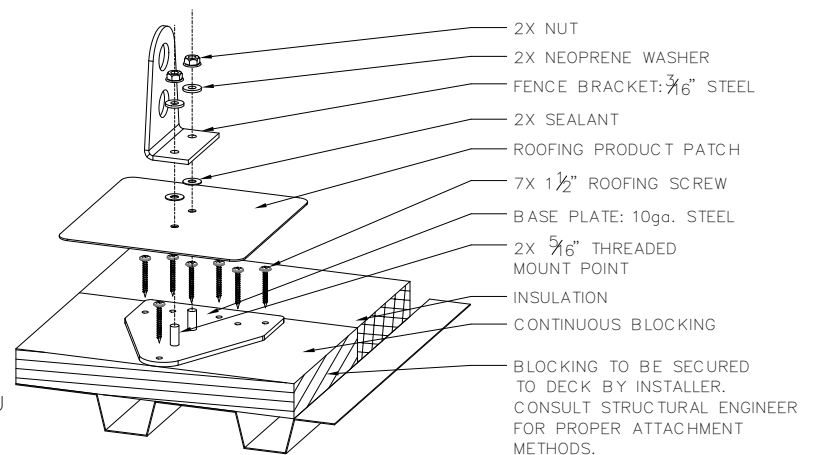
DO NOT SCALE

\*Dimensions shown are in inches.



### 2 PIPE SNOW FENCE SYSTEM

**USED ON: EPDM, TPO, AND SIMILAR ROOFING MATERIALS**



### INSTALLATION

DO NOT SCALE

**SNOW RETENTION SYSTEMS**