



## UNIVERSAL GUARD

### DESCRIPTION

- Designed for asphalt shingles, cedar shingles, wood shakes, slate, simulated slate, and flat seam metal
- Installed using #14 fasteners
- The face accepts a \*color insert providing a perfect color match
- Powder coated to match roofing material color
- Overall dimensions: 2 1/2" L X 2 11/16" W X 2 1/2" H

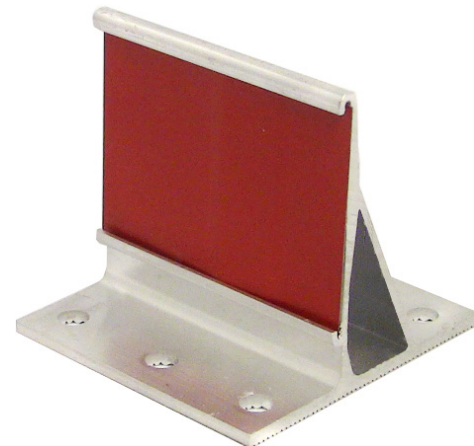
### MATERIALS

- Aluminum :: 6005A-T6

### COLORS/FINISHES

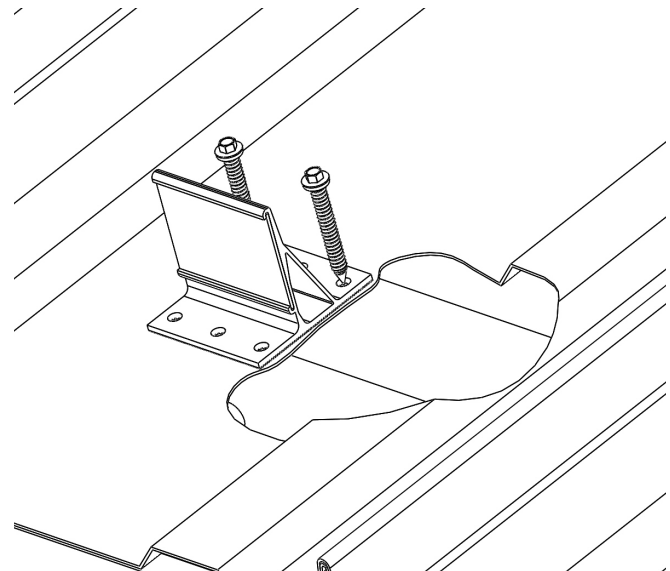
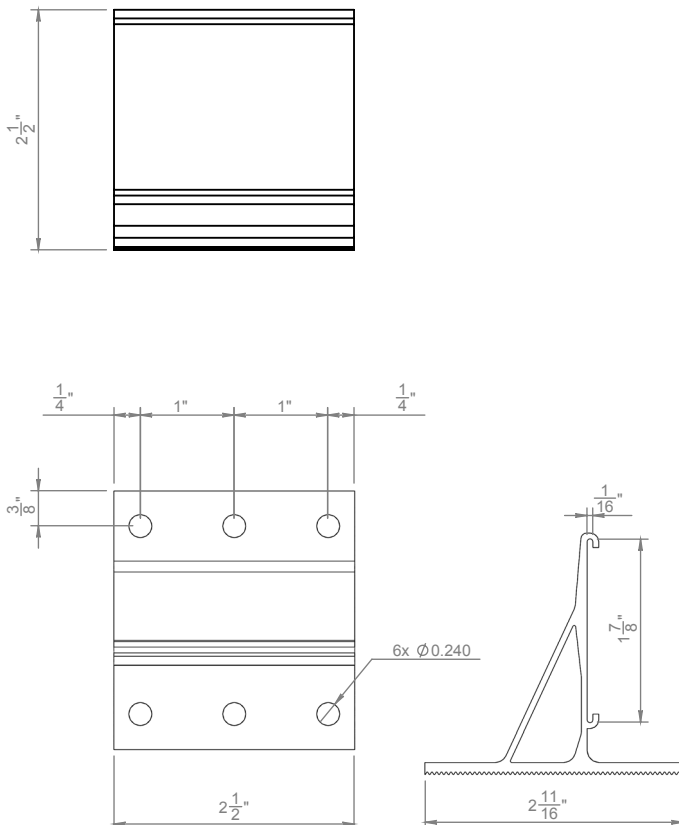
- Mill finish Aluminum
- Powder coating available in many colors visit <http://trasnowandsun.com/color-chart/> to see color chart

**NOTE:** Due to specific job conditions, TRA Snow and Sun will only warranty a snow retention system/layout that has been designed by TRA Snow and Sun. \*color insert not provided



**FOR NEW CONSTRUCTION OR RETROFIT**

**USED ON: ASPHALT SHINGLES, CEDAR SHINGLES, WOOD SHAKES, SLATE, SIMULATED SLATE, & FLAT SEAM METAL**



### INSTALLATION

DO NOT SCALE

**SNOW RETENTION SYSTEMS**

\*Dimensions shown are in inches.