



SNOW BRACKET™ MADERA

DESCRIPTION

- Designed for use with Boral's Madera Tile
- No fasteners required
- Powder coated to match roofing material color
- Overall dimensions: 13 1/2" L X 1 3/16" W X 3" H
- Can be powder coated to match roofing material color

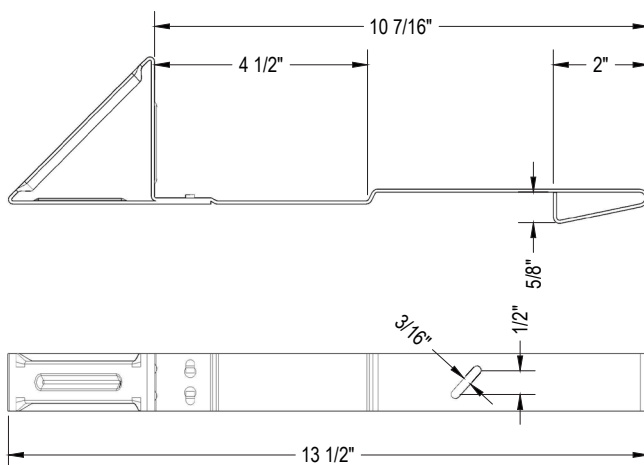
MATERIALS

- Steel :: 16 ga (ASTM A879)
- Copper :: 48 oz (ASTM B152)
- Cor-Ten® :: 16 ga (ASTM A606)
- Stainless Steel :: 16 ga (ASTM A240)
- Aluminum :: .063" (H32 - ASTM B209)

COLORS/FINISHES

- Electro-galvanized steel
- Hot-dipped galvanized steel
- Mill finish Aluminum
- Mill finish Copper
- Mill finish Cor-Ten®
- Powder coating available in many colors visit <http://trasnowandsun.com/color-chart/> to see color chart

NOTE: Due to specific job conditions, TRA Snow and Sun will only warranty a snow retention system/layout that has been designed by TRA Snow and Sun.



DIMENSIONS

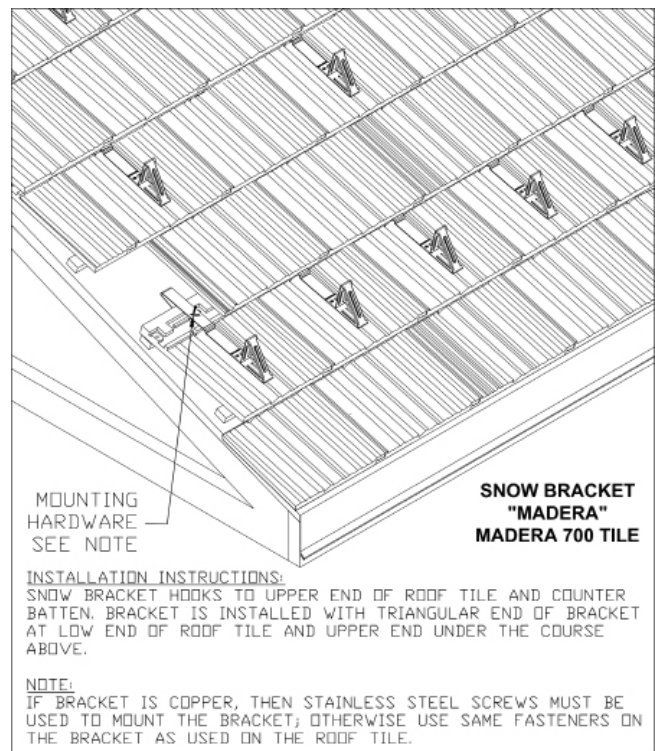
DO NOT SCALE

Dimensions shown are in inches.



FOR NEW CONSTRUCTION OR RETROFIT

USED ON: BORAL'S MADERA TILE



INSTALLATION

DO NOT SCALE

SNOW RETENTION SYSTEMS