



SNOW BRACKET™ LEGENDARY

DESCRIPTION

- Designed for use with Bartile® Legendary tile
- No fasteners required
- Can be powder coated to match roofing material color
- Overall dimensions: 14-3/16" L X 1-3/16" W X 3-1/16" H

MATERIALS

- Steel :: 16 ga (ASTM A879)
- Copper :: 48 oz (ASTM B152)
- Cor-Ten® :: 16 ga (ASTM A606)
- Stainless Steel :: 16 ga (ASTM A240)
- Aluminum :: .063" (H32 - ASTM B209)

COLORS/FINISHES

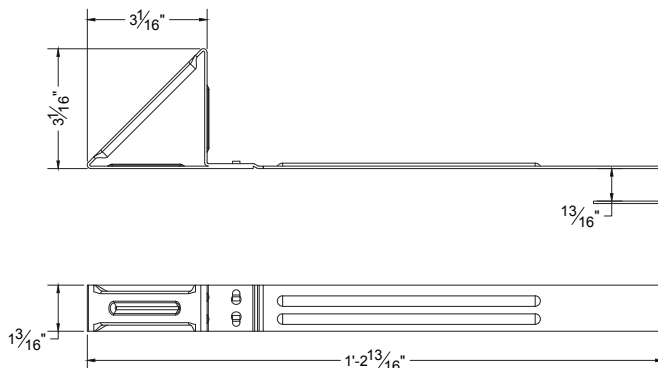
- Electro-galvanized steel
- Hot-dipped galvanized steel
- Mill finish Aluminum
- Mill finish Copper
- Mill finish Cor-Ten®
- Powder coating available in many colors visit <http://trasnowandsun.com/color-chart/> to see color chart

NOTE: Due to specific job conditions, TRA Snow and Sun will only warranty a snow retention system/layout that has been designed by TRA Snow and Sun.



FOR NEW CONSTRUCTION

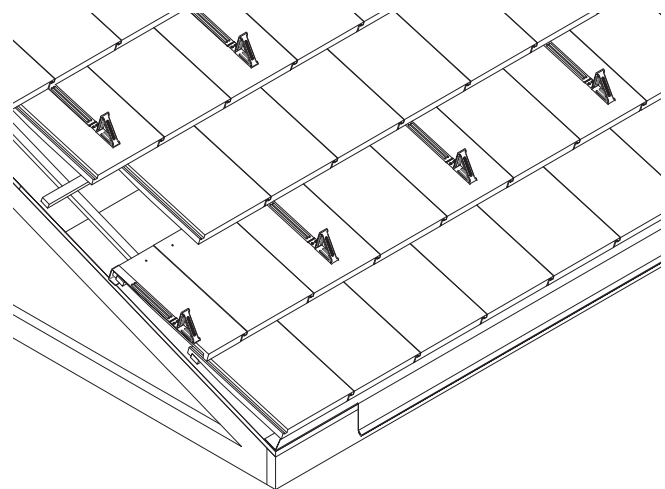
USED ON: BARTILE® LEGENDARY TILE



DIMENSIONS

DO NOT SCALE

*Dimensions shown are in inches.



Bracket hooks to upper end of roof tile and counter batten. Bracket is installed with triangular end of bracket at butt end of roof tile and upper end under the course above.

INSTALLATION

DO NOT SCALE

SNOW RETENTION SYSTEMS