



SNOW BRACKET™ C TREE

DESCRIPTION

- Designed for new construction or retrofit applications
- Used on 7/8" Corrugated Metal Panels
- Bracket fastens to roof sheathing
- Superior strength
- Can be powder coated to match roofing material color
- Overall dimensions: 2 11/16"W X 4 9/16"H X 4 7/16"L

MATERIALS

- Steel :: 3/16" (ASTM A36)
- Copper :: 1/4" (ASTM B124)
- Cor-Ten ® :: 3/16" (ASTM A588)

COLORS/FINISHES

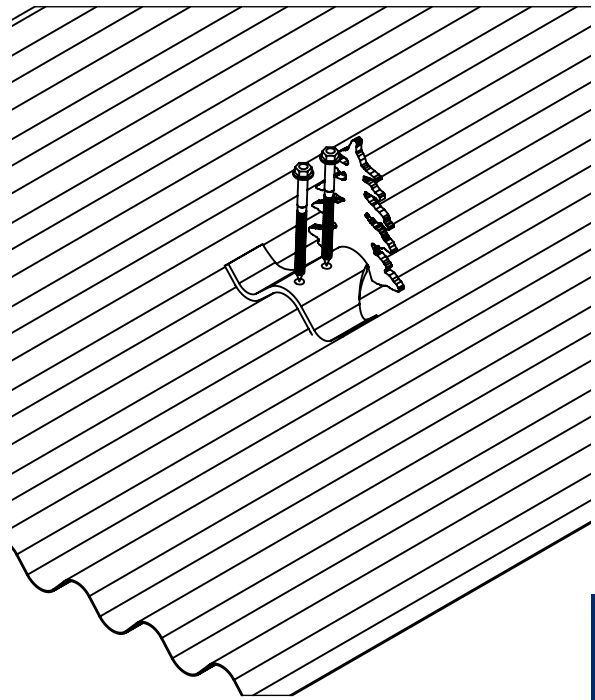
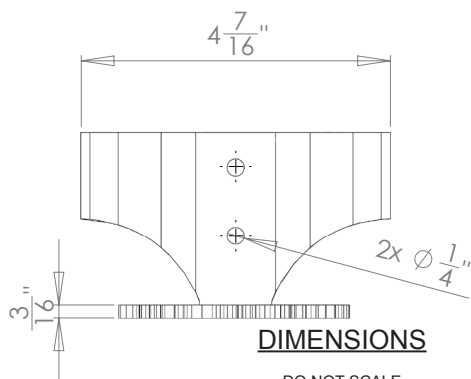
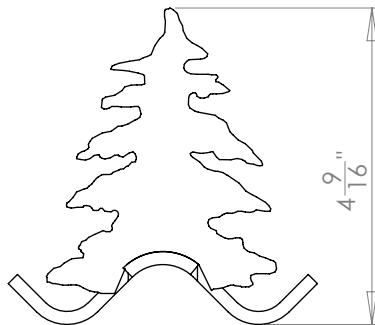
- Electro-galvanized steel
- Hot-dipped galvanized steel
- Mill finish Copper
- Mill finish Cor-Ten ®
- Powder coating available in many colors visit <http://trasnowandsun.com/color-chart/> to see color chart

NOTE: Due to specific job conditions, TRA Snow and Sun will only warranty a snow retention system/layout that has been designed by TRA Snow and Sun.



FOR NEW CONSTRUCTION OR RETROFIT

USED ON: CORRUGATED METAL PANEL



INSTALLATION

DO NOT SCALE

SNOW RETENTION SYSTEMS

*Dimensions shown are in inches.