



## D2HH DECK MOUNT

### DESCRIPTION

- Designed for most stick framed roof types
- Accepts 1" (1.315"OD) fence pipe
- Installed using (4) 3/8" Lag bolts
- Must be installed into structural roof member such as a truss or rafter beam
- Ice Flags as option
- Powder coated to match roofing material color
- Overall dimensions: 12"L X 2 1/16"W X 12 1/4"H

### MATERIALS

- Steel :: 1/4" (ASTM A1011 & ASTM A880)
- Copper :: 1/4" (ASTM B152)
- Cor-Ten® :: 1/4" (ASTM A588)

### COLORS/FINISHES

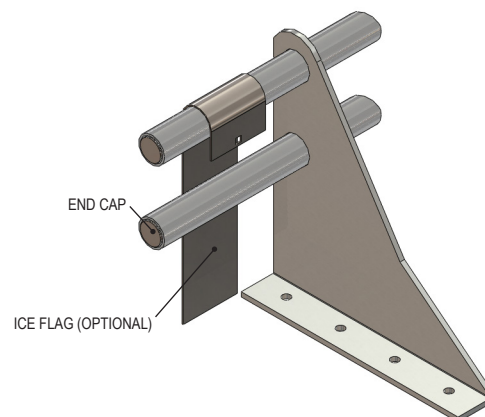
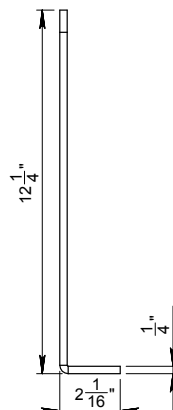
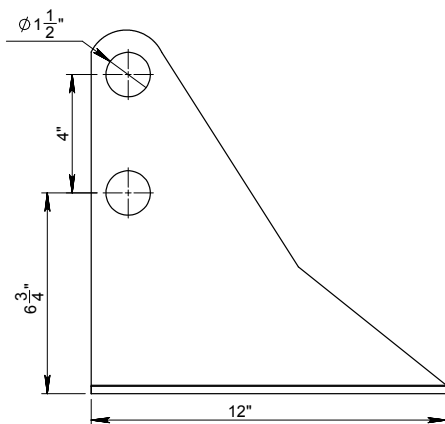
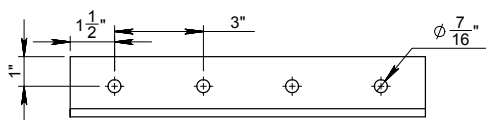
- Raw steel
- Electro-galvanized steel
- Hot-dipped galvanized steel
- Mill finish Copper
- Mill finish Cor-Ten®
- Powder coating available in many colors visit <http://trasnowandsun.com/color-chart/> to see color chart

**NOTE:** Due to specific job conditions, TRA Snow and Sun will only warranty a snow retention system/layout that has been designed by TRA Snow and Sun.



### 2 PIPE SNOW FENCE SYSTEM

**USED ON: ASPHALT SHINGLES, CEDAR SHINGLES, FLAT SEAM METAL, GRANULE METAL, METAL PANEL, SLATE, SIMULATE SLATE, TILE ROOFS, & WOOD SHAKES**



### DIMENSIONS

DO NOT SCALE

\*Dimensions shown are in inches.