



C23Z CLAMP ON

DESCRIPTION

- Designed for standing seam metal roofs
- Available for all rib types including: Double Lock, Single Lock, Snap Lock, Skyline, etc
- Accepts 3/4" fence pipe
- Allows for full installation without any penetration of the roof surface
- Powder coated to match roofing material color
- Overall dimensions: 4-1/2" L X 1-5/16" W X VAR height
- Height (HT) of clamp varies based on rib type and height
- 3/8" Dia X 1-3/4" or 2" carriage bolt (2)

MATERIALS

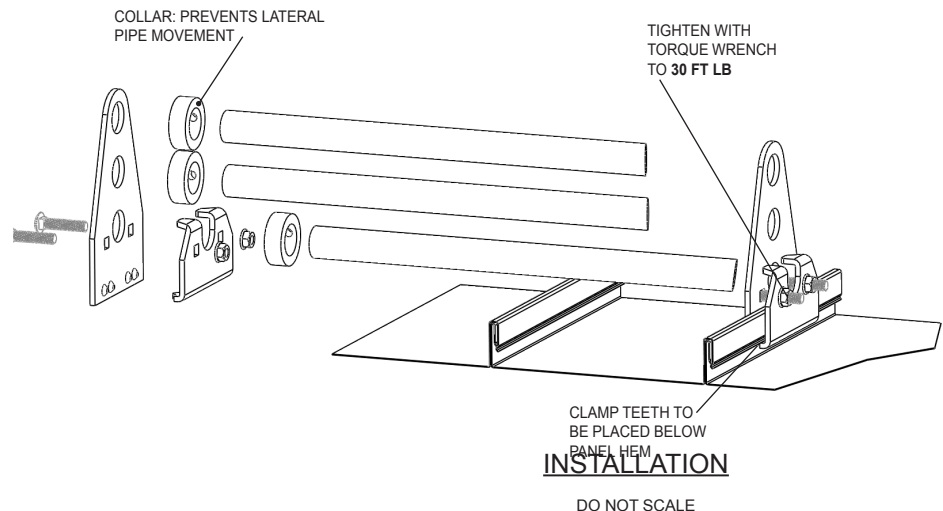
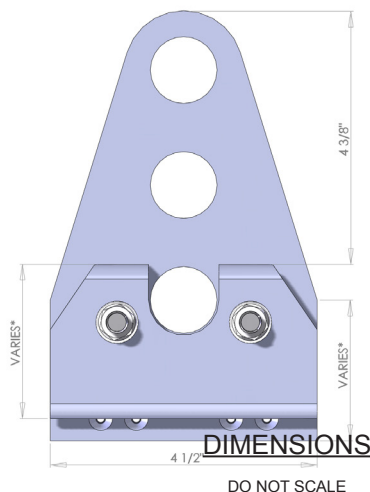
- Steel :: 3/16" (ASTM A1011 & ASTM A880)
- Copper :: 1/4" (ASTM B152)
- Aluminum :: 1/4" (ASTM B209)
- Cor-Ten® :: 3/16" (ASTM A588)
- Stainless Steel :: 8ga. (ASTM A240)

COLORS/FINISHES

- Raw steel
- Electro-galvanized steel
- Hot-dipped galvanized steel
- Mill finish Aluminum
- Mill finish Copper
- Mill finish Cor-Ten®
- Stainless Steel
- Powder coating available in many colors visit <http://trasnowandsun.com/color-chart/> to see color chart

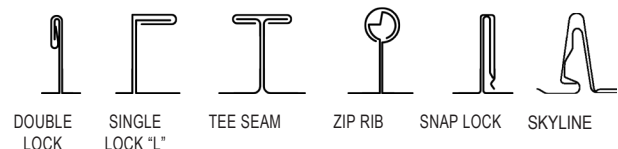
NOTE: Due to specific job conditions, TRA Snow and Sun will only warranty a snow retention system/layout that has been designed by TRA Snow and Sun.

* These dimensions vary based on the panel rib type and height



3 RAIL STANDING SEAM SNOW FENCE

USED ON: STANDING SEAM METAL



*Dimensions shown are in inches.