

SNOW BRACKET™ SUNBURST ATTACHMENT

DESCRIPTION

- Designed for TRA snow brackets as a decorative attachment
- Powder coated to match roofing material color

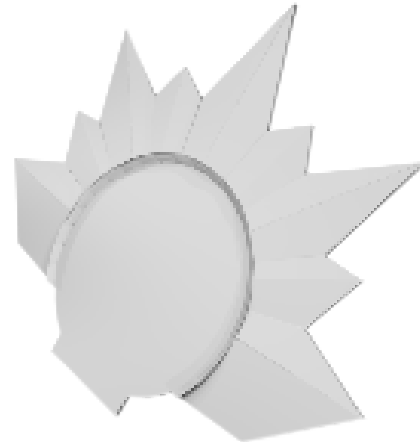
MATERIALS

- Zinc Coated Steel: 16 ga (ASTM A653)
- Copper: 48 oz (ASTM B152)
- A588: 16 ga (ASTM A588)

COLORS/FINISHES

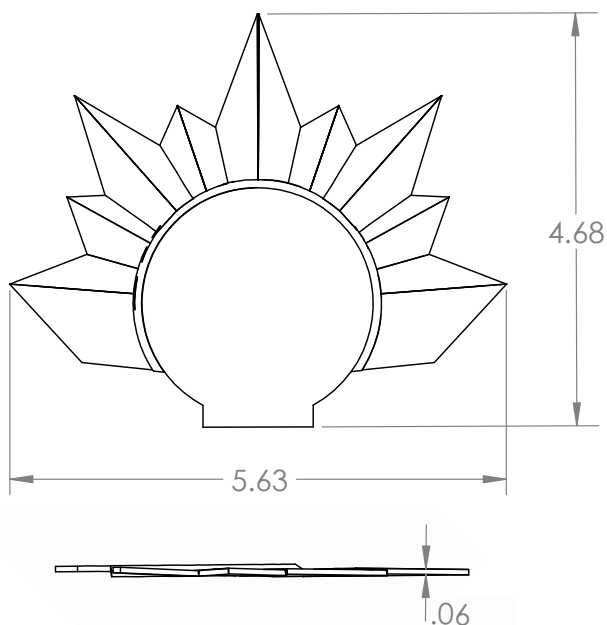
- Zinc Plated
- Powder coating available in many colors visit <http://trasnowandsun.com/color-chart/> to see color chart

NOTE: Due to specific job conditions, TRA Snow and Sun will only warranty a snow retention system/layout that has been designed by TRA Snow and Sun.



FOR NEW CONSTRUCTION AND RETROFIT

USED ON: TRA SNOW BRACKETS



DIMENSIONS
DO NOT SCALE



INSTALLATION:

The Sunburst attachment comes in a variety of different brackets. For installation, see your bracket type for details.

SNOW RETENTION SYSTEMS