



SNOW BRACKET™ LUDOWICI® MID - APEX

DESCRIPTION

- Designed for Ludowici® Flat tile, S-Tile, and Pan & Cover Tile
- Can be used with Ludowici® Flat Slab, Antique, Brittany, Calais, Colonial, Crude, Norman, Provincial, Georgian, Greek, Roman, & Tapered Mission tiles
- Formed to correspond to tile's length
- Bracket fastens to roof sheathing material
- Superior strength
- Can be powder coated to match roofing material color
- Overall dimensions: 2.25"W X 3.5"H X VAR"L

MATERIALS

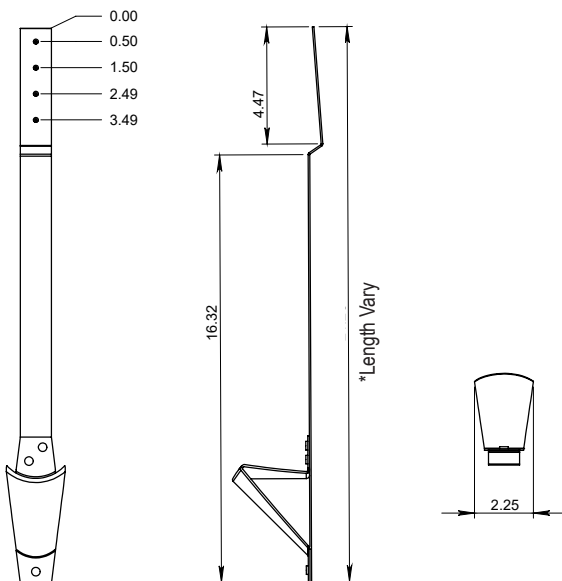
- Zinc Coated Steel: 16 ga (ASTM A653)
- Copper: 48 oz (ASTM B152)
- Stainless Steel: 16 ga (ASTM A240)

COLORS/FINISHES

- Zinc Plated
- Powder coating available in many colors visit <http://trasnowandsun.com/color-chart/> to see color chart

NOTE: Due to specific job conditions, TRA Snow and Sun will only warranty a snow retention system/layout that has been designed by TRA Snow and Sun.

LUDOWICI® TILE BRACKET LENGTHS (L)					
Tile Name	Bracket (L)	Tile Name	Bracket (L)	Tile Name	Bracket (L)
Flat Slab	16 1/2"	Colonial	19"	Georgian	19 3/8"
Antique	16 1/2"	Crude	16 1/2"	Greek	17 1/4"
Brittany	16 1/2"	Norman	19 3/8"	Roman	17 1/4"
Calais	19 3/8"	Provincial	19 3/8"	Tapered Mission	19 3/8"

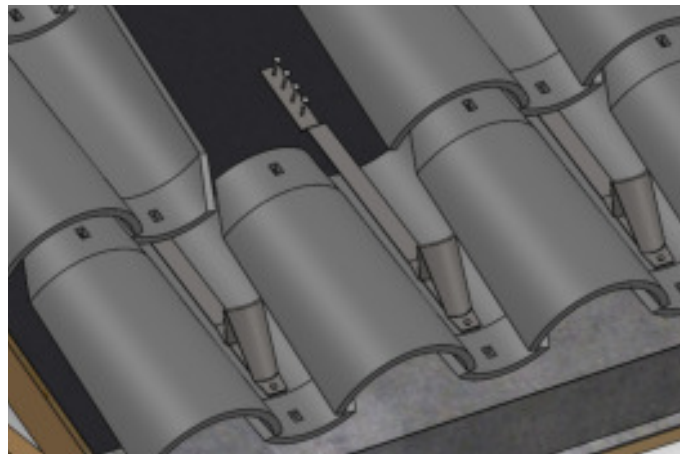


DIMENSIONS
DO NOT SCALE



FOR MID PROFILE FLAT, PAN & COVER TILE ROOFS

USED ON FLAT SLAB, ANTIQUE, BRITTANY, CALAIS, COLONIAL, CRUDE, GEORGIAN, GREEK, NORMAN, PROVINCIAL, ROMAN, AND TAPERED MISSION



INSTALLATION:
BRACKET IS INSTALLED WITH FOUR 2" ROOFING NAILS DIRECTLY INTO SHEATHING WITH TRIANGULAR END OF BRACKET AT EAVE END OF TILE AND UPPER END UNDER TILE IN COURSE ABOVE.

SNOW RETENTION SYSTEMS