



## SNOW BRACKET™ C - BEAR

### DESCRIPTION

- Designed for new construction or retrofit applications
- Used on 7/8" Corrugated Metal Panels
- Bracket fastens to roof sheathing
- Installed using (2) #14 fasteners
- Can be powder coated to match roofing material color
- Overall dimensions: 5 11/16"L X 2 1/2"W X 3 15/16"H

### MATERIALS

- Zinc Coated Steel: 1/4" (ASTM A36)
- Copper: 1/4" (ASTM B152)
- Weathering Steel (known as CORTEN®): 1/4" (ASTM A588)

### COLORS/FINISHES

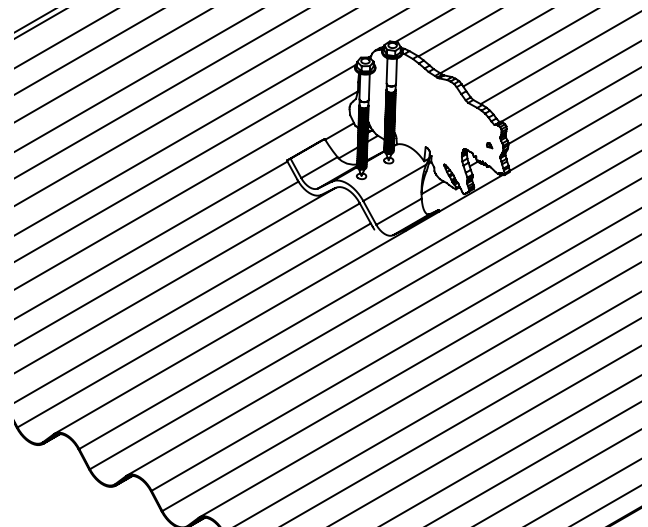
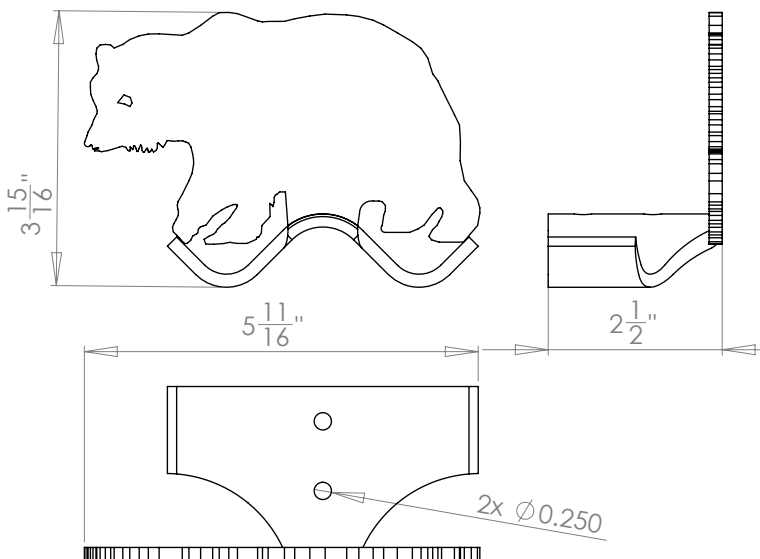
- Zinc Plated
- Powder coating available in many colors visit <http://trasnowandsun.com/color-chart/> to see color chart

**NOTE:** Due to specific job conditions, TRA Snow and Sun will only warranty a snow retention system/layout that has been designed by TRA Snow and Sun.



**FOR NEW CONSTRUCTION OR RETROFIT**

**USED ON: CORRUGATED METAL PANEL**



### INSTALLATION:

Face the bear portion of bracket towards the roof eave (see image above). Install brackets with optional butyl using (2) #14 screws fastened through roof material and sheathing below. All roof penetrations that go through the underlayment are required to be flashed or sealed.

**DIMENSIONS**  
DO NOT SCALE