



## FLASHFREE FENCE 2 - 8"x12"

### DESCRIPTION

- Overall dimensions: 12" L X 8" W X 3.87" H
- Designed for small pipes (see pipe product data sheet)
- Designed for asphalt shingles, simulated slate, & simulated shake
- Ice Flags (recommended)

### MATERIALS - BRACKET

- Steel: 3/16" (ASTM A36) w/ Galvanized Steel **Baseplate**
- Stainless Steel: 3/16" (ASTM A240) w/ Stainless Steel **Baseplate**
- Copper: 1/4" (ASTM B125) w/ Stainless Steel **Baseplate**

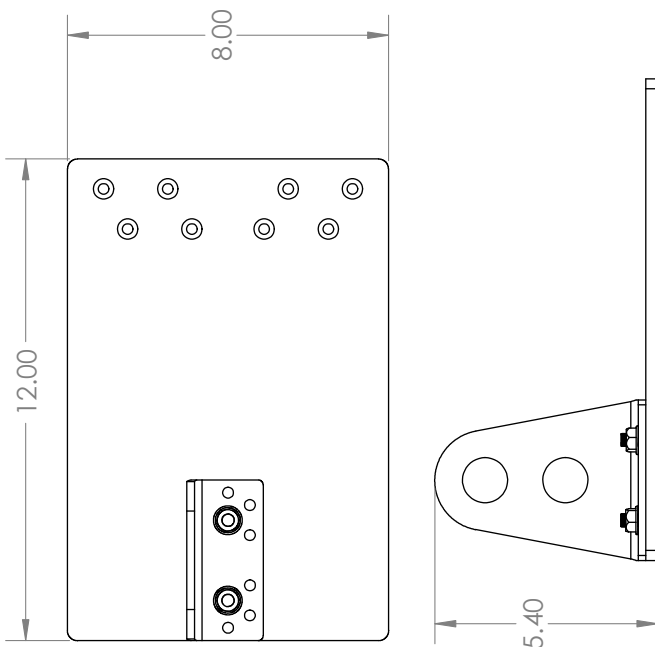
### MATERIALS - BASEPLATE

- Galvanized Steel: 10 ga. (ASTM A1011 & A880) w/ Steel **Bracket**
- Stainless Steel: 10 ga. (ASTM A240) w/ Copper, or Stainless Steel **Bracket**

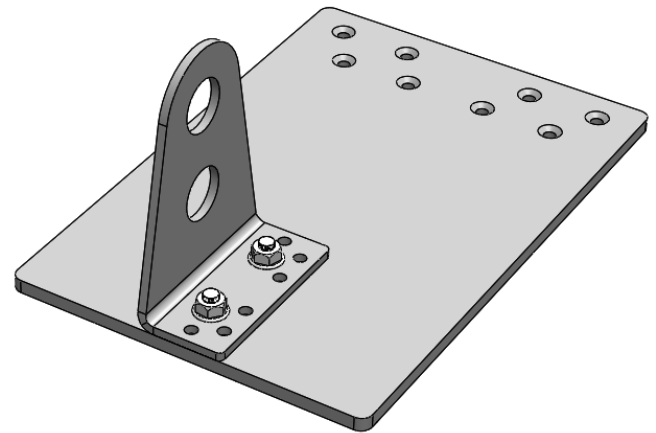
### COLORS/FINISHES

- Zinc Plated Steel
- Powder coating available in many colors visit <http://trasnowandsun.com/color-chart/> to see color chart
- Mill Finish Copper
- Stainless Steel

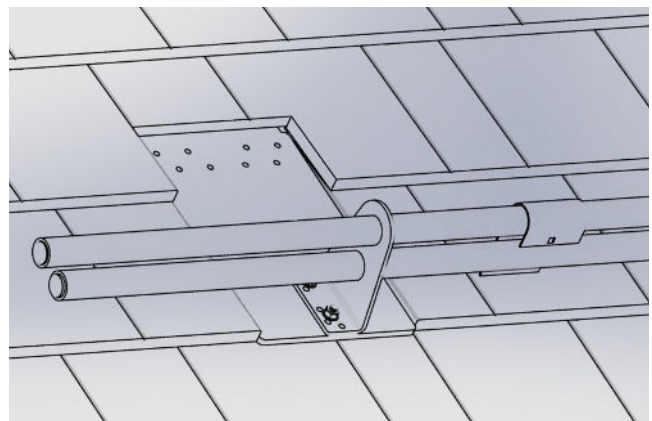
**NOTE:** Due to specific job conditions, TRA Snow and Sun will only warranty a snow retention system/layout that has been designed by TRA Snow and Sun.



**DIMENSIONS**  
DO NOT SCALE



### 2 PIPE SNOW FENCE SYSTEM FOR NEW CONSTRUCTION USED ON: ASPHALT SHINGLES, SIMULATED SLATE, & SIMULATED SHAKE



### INSTALLATION INSTRUCTIONS:

#### Baseplate Installation:

- 1- Place baseplate on top of roof material and align with the downslope edge of the baseplate with the downslope edge of the roof material.
- 2- Install the baseplate by fastening to the roof deck with eight #14 screws.
- 3- Continue installing roof material around and over the baseplate.

#### Bracket Installation:

- 1- Install deck mount bracket over the two threaded bolts on the baseplate to 15ft-lbs of torque.
- 2- Install two lock nuts on the threaded deck mount bolts.
- 3- Install Tubes, Unions, Ice Flags, End Caps, and End Collars (refer to Tube-Style Installation Instructions).

*We recommend sealing all roofing penetrations.*

**SNOW RETENTION SYSTEMS**