



## FLASHFREE FENCE 1 - 12"x18"

### DESCRIPTION

- Overall dimensions: 18" L X 12" W X 3.87" H
- Designed for small pipes (see pipe product data sheet)
- Designed for asphalt shingles, simulated slate, & simulated shake
- Ice Flags (recommended)

### MATERIALS - BRACKET

- Steel: 3/16" (ASTM A36) w/ Galvanized Steel **Baseplate**

### MATERIALS - BASEPLATE

- Galvanized Steel: 10 ga. (ASTM A1011 & A880) w/ Steel **Bracket**

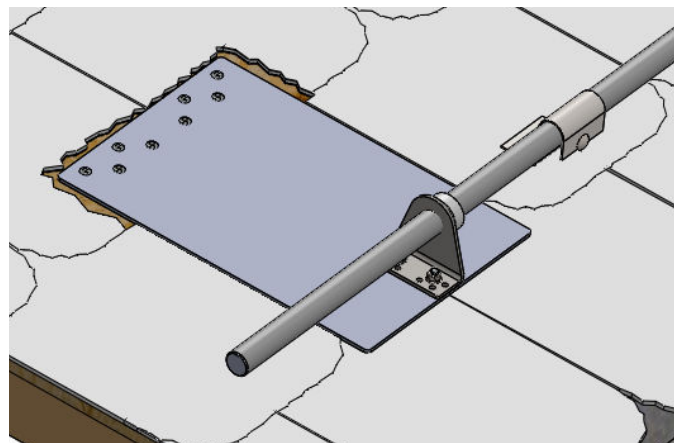
### COLORS/FINISHES

- Zinc Plated Steel
- Powder coating available in many colors visit <http://trasnowandsun.com/color-chart/> to see color chart

**NOTE:** Due to specific job conditions, TRA Snow and Sun will only warranty a snow retention system/layout that has been designed by TRA Snow and Sun.



### 1 PIPE SNOW FENCE SYSTEM FOR NEW CONSTRUCTION USED ON: ASPHALT SHINGLES, SIMULATED SLATE, & SIMULATED SHAKE



### INSTALLATION INSTRUCTIONS:

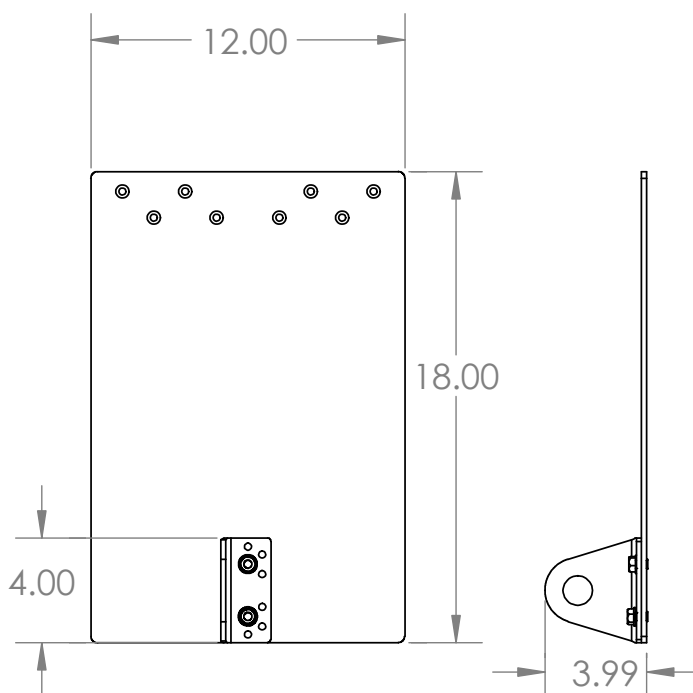
#### Baseplate Installation:

- 1- Place baseplate on top of roof material and align with the downslope edge of the baseplate with the downslope edge of the roof material.
- 2- Install the baseplate by fastening to the roof deck with eight #14 screws.
- 3- Continue installing roof material around and over the baseplate.

#### Bracket Installation:

- 1- Install deck mount bracket over the two threaded bolts on the baseplate to 15ft-lbs of torque.
- 2- Install two lock nuts on the threaded deck mount bolts.
- 3- Install Tubes, Unions, Ice Flags, End Caps, and End Collars (refer to Tube-Style Installation Instructions).

*We recommend sealing all roofing penetrations.*



**DIMENSIONS**  
DO NOT SCALE