



## C31Z CLAMP-ON

### DESCRIPTION

- Designed for standing seam metal roofs
- Available for all rib types including: Single Lock, Tee Seam, Zip Rib, etc.
- Accepts 3/4" fence tube
- Allows for full installation without any penetration of the roof surface
- Powder coated to match roofing material color
- Overall dimensions: 5.19"L X 1.93"W X 3.60"H
- Dimensions of clamp vary based on rib type and height
- 3/8" Dia X 1-3/4" or 2" carriage bolt (2)

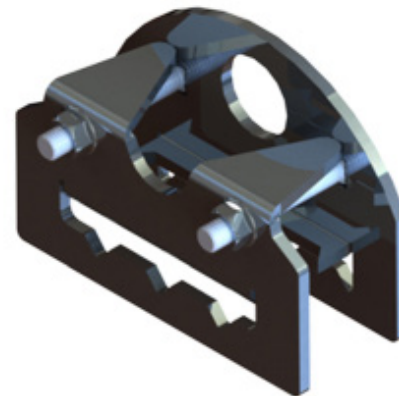
### MATERIALS

- Zinc Coated Steel: 3/16" (ASTM A36)
- Copper: 1/4" (ASTM B152)
- Stainless Steel: 8 ga. (ASTM A240)

### COLORS/FINISHES

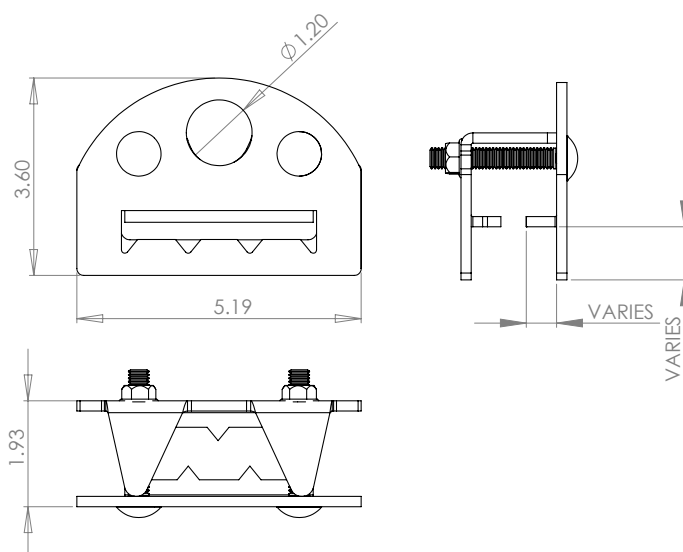
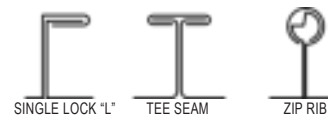
- Raw Steel
- Zinc Plated Steel
- Hot-Dipped Galvanized Steel
- Mill Finish Copper
- Stainless Steel
- Powder coating available in many colors visit <http://trasnowandsun.com/color-chart/> to see color chart

**NOTE:** Due to specific job conditions, TRA Snow and Sun will only warranty a snow retention system/layout that has been designed by TRA Snow and Sun.



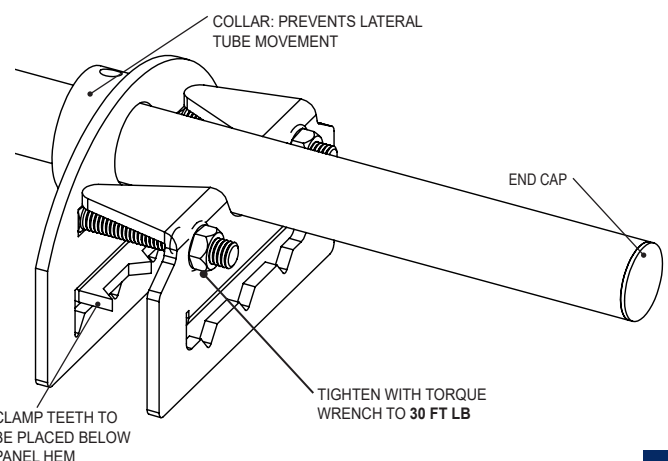
### 1 RAIL STANDING SEAM SNOW FENCE

### USED ON: STANDING SEAM METAL



\* These dimensions vary based on the panel rib type and height.

**DIMENSIONS**  
DO NOT SCALE



### INSTALLATION:

CLAMP THE SNOW FENCE TO THE RIB BY USING A TORQUE WRENCH WITH 30 FT - LBS. OF PRESSURE APPLIED TO EACH BOLT. FOR SPECIFIC ENGINEERING & PLACEMENT CALL TRA SNOW & SUN AT 801-756-8666.

**SNOW RETENTION SYSTEMS**