



SNOW DIAMOND CLAMP-ON 2 RAIL

DESCRIPTION

- Designed for standing seam metal roofs
- Available for all rib types including: Double Lock, Single Lock, Snap Lock, Skyline, etc
- Accepts 3/4" X 3/4" square fence pipe
- Allows for full installation without penetration of the roof surface
- Powder coated to match roofing material color
- Overall dimensions: 2-5/8" L X 1"(VAR) W X 4-5/8"(VAR) H
- Height (HT) of clamp varies based on rib type and height
- 3/8" Dia X 1-3/4" or 2" carriage bolt (2)

MATERIALS

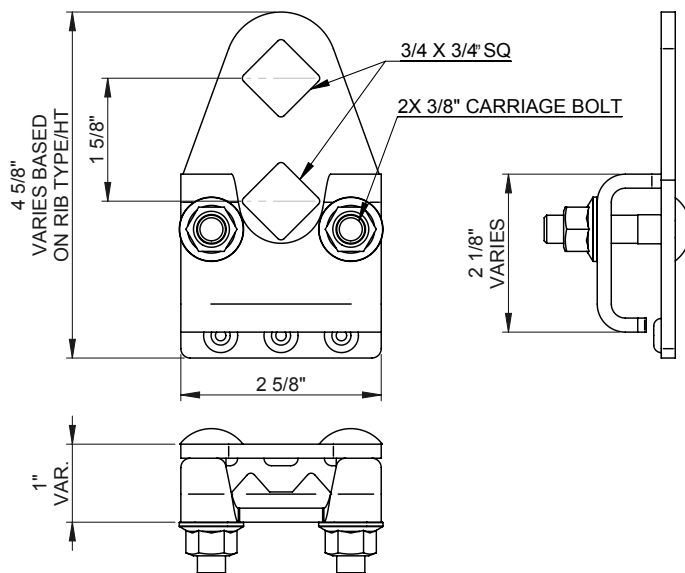
- Steel :: 3/16" (ASTM A36)
- Stainless Steel :: .165" (ASTM A666-03)

COLORS/FINISHES

- Electro-galvanized steel
- Hot-dipped galvanized steel
- Mill finish Stainless Steel
- Powder coating available in many colors visit <http://trasnowandsun.com/color-chart/> to see color chart

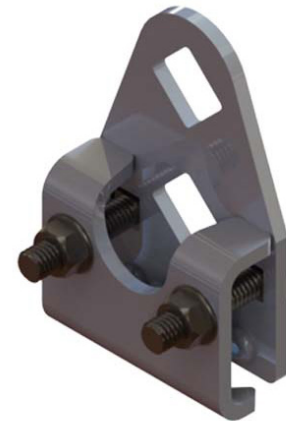
NOTE: Due to specific job conditions, TRA Snow and Sun will only warranty a snow retention system/layout that has been designed by TRA Snow and Sun.

* These dimensions vary based on the panel rib type and height



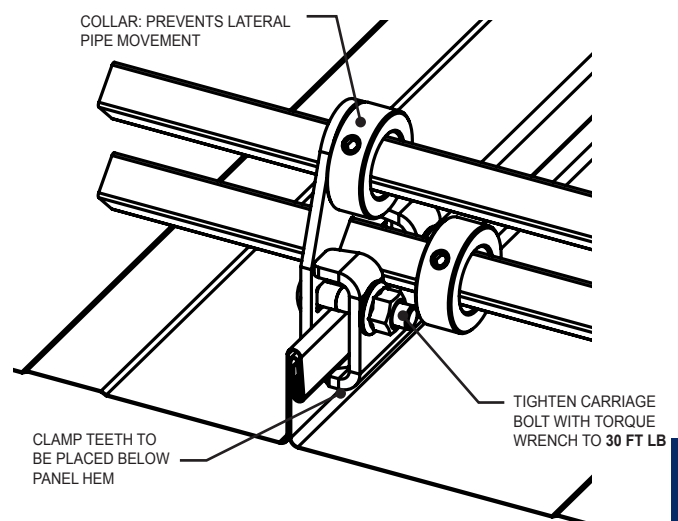
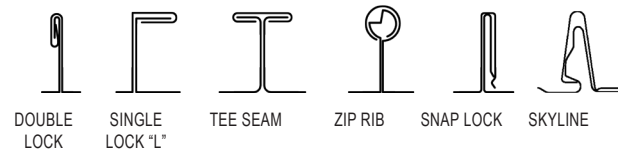
DIMENSIONS

DO NOT SCALE



2 RAIL STANDING SEAM SNOW FENCE

USED ON: STANDING SEAM METAL



INSTALLATION

DO NOT SCALE

SNOW RETENTION SYSTEMS

*Dimensions shown are in inches.