



SNOW BRACKET™ S

DESCRIPTION

- Designed for use with Asphalt shingles, Cedar Shingles, Slate, Simulated Slate, and Wood Shakes
- Powder coated to match roofing material color
- Overall dimensions: 16" L X 3" W X 4" H

MATERIALS

- Steel :: 16 ga (ASTM A879)
- Copper :: 48 oz (ASTM B152)
- Cor-Ten® :: 16 ga (ASTM A606)
- Stainless Steel :: 16 ga (ASTM A240)
- Aluminum :: .063" (H32 - ASTM B209)

COLORS/FINISHES

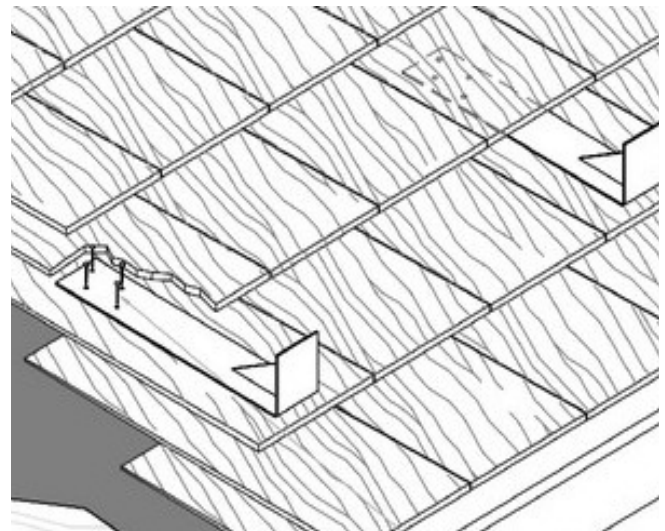
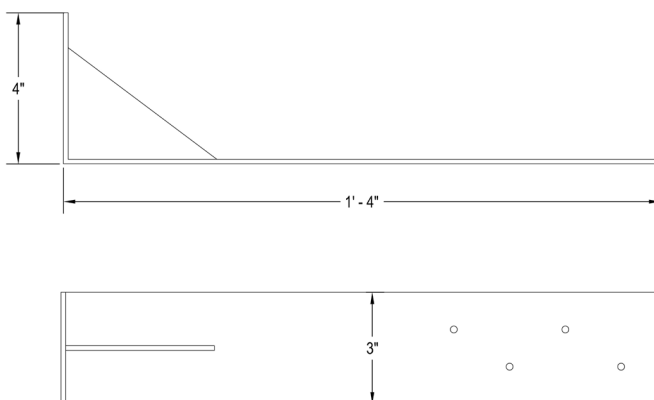
- Electro-galvanized steel
- Hot-dipped galvanized steel
- Mill finish Aluminum
- Mill finish Copper
- Mill finish Cor-Ten®
- Powder coating available in many colors visit <http://trasnowandsun.com/color-chart/> to see color chart

NOTE: Due to specific job conditions, TRA Snow and Sun will only warranty a snow retention system/layout that has been designed by TRA Snow and Sun.



FOR NEW CONSTRUCTION

USED ON: ASPHALT SHINGLES, CEDAR SHINGLES, SLATE, SIMULATED SLATE, AND WOOD SHAKES



DIMENSIONS

DO NOT SCALE

INSTALLATION

DO NOT SCALE

SNOW RETENTION SYSTEMS

*Dimensions shown are in inches.