



SNOW BRACKET™ J

DESCRIPTION

- Designed for use with metal/granule tiles which are installed using horizontal battens
- 3/16" screws required
- Can be powder coated to match roofing material color
- Overall dimensions: 13-1/2" L X 1-3/16" W X 3" H

MATERIALS

- Steel :: 16 ga (ASTM A879)
- Copper :: 48 oz (ASTM B152)
- Cor-Ten® :: 16 ga (ASTM A606)
- Stainless Steel :: 16 ga (ASTM A240)
- Aluminum :: .063" (H32 - ASTM B209)

COLORS/FINISHES

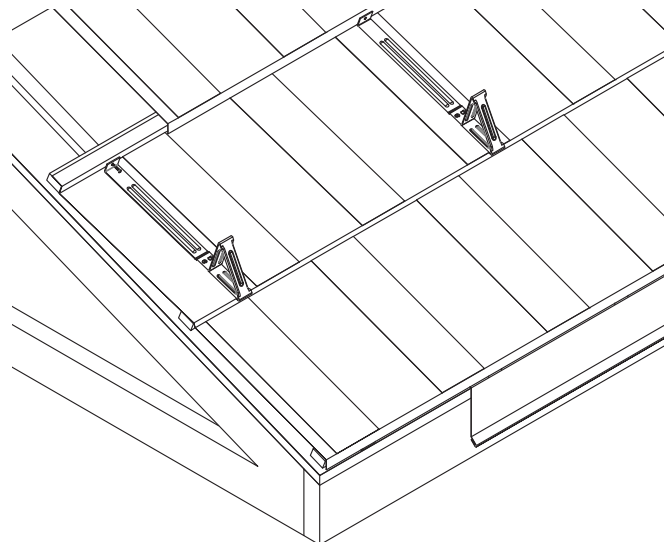
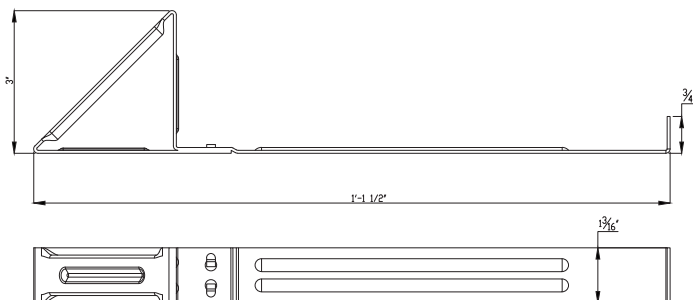
- Electro-galvanized steel
- Hot-dipped galvanized steel
- Mill finish Aluminum
- Mill finish Copper
- Mill finish Cor-Ten®
- Powder coating available in many colors visit <http://trasnowandsun.com/color-chart/> to see color chart

NOTE: Due to specific job conditions, TRA Snow and Sun will only warranty a snow retention system/layout that has been designed by TRA Snow and Sun.



FOR NEW CONSTRUCTION & RETROFIT

USED ON: METAL/GRANULE TILES WHICH ARE INSTALLED USING HORIZONTAL BATTENS



After metal tile has been installed on deck with 2"x2" batten, install the J bracket with the triangular end towards the down hill slope. Install a high quality construction adhesive below the triangular end of the bracket. Then install 3/16" screw into through hole in the snow bracket through hole in metal/granule tile into 2"x2" batten a minimum of 1 1/4".

DIMENSIONS

DO NOT SCALE

INSTALLATION

DO NOT SCALE

SNOW RETENTION SYSTEMS

*Dimensions shown are in inches.