



SNOW BRACKET™ H

DESCRIPTION

- Designed for almost all roof types
- Available with or without fastener cover clip
- Can be powder coated to match roofing material color
- Overall dimensions: 5-1/2"L X 1-3/16"W X 3" H

MATERIALS

- Steel :: 16 ga (ASTM A879)
- Copper :: 48 oz (ASTM B152)
- Cor-Ten® :: 16 ga (ASTM A606)
- Stainless Steel :: 16 ga (ASTM A240)
- Aluminum :: .063" (H32 - ASTM B209)

COLORS/FINISHES

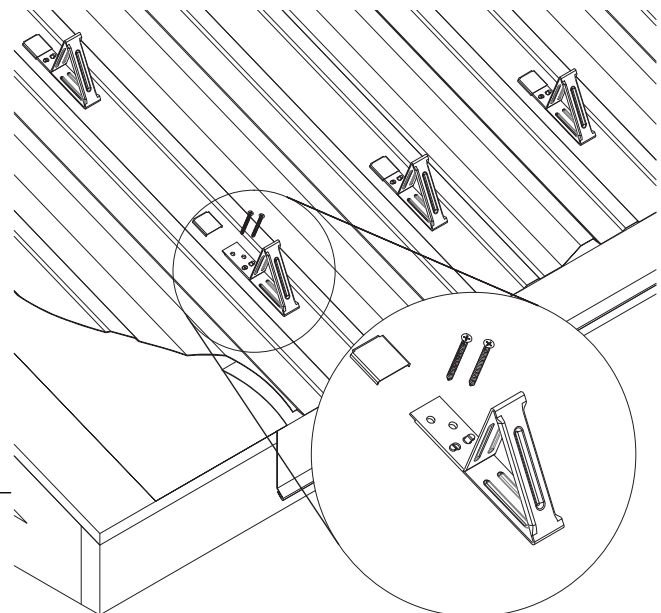
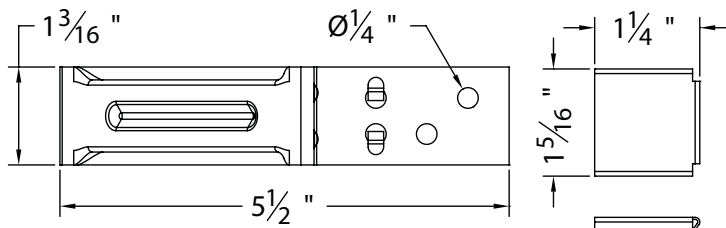
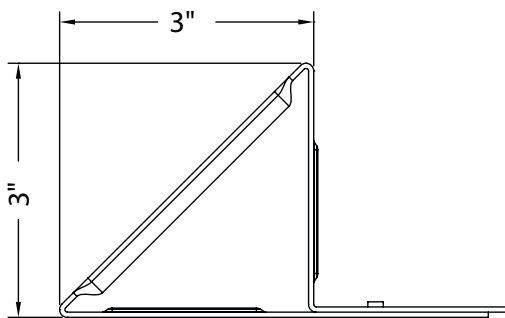
- Electro-galvanized steel
- Hot-dipped galvanized steel
- Mill finish Aluminum
- Mill finish Copper
- Mill finish Cor-Ten®
- Powder coating available in many colors visit <http://trasnowandsun.com/color-chart/> to see color chart

NOTE: Due to specific job conditions, TRA Snow and Sun will only warranty a snow retention system/layout that has been designed by TRA Snow and Sun.



FOR NEW CONSTRUCTION OR RETROFIT

USED ON : ALMOST ALL ROOF TYPES



Bracket is installed with (2) #14 screws fastened through roofing material and sheathing below. Bracket installed with triangle portion of bracket over eave edge of roofing material.

SNOW RETENTION SYSTEMS