



SNOW BRACKET™ E SHORT

DESCRIPTION

- Designed for simulated slate, shake, asphalt shingle and metal roofs
- Can be powder coated to match roofing material color
- Overall dimensions: 8-1/8" L X 1-3/16" W X 2-7/8" H

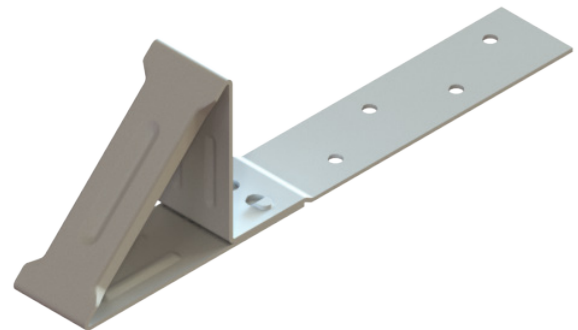
MATERIALS

- Steel :: 16 ga (ASTM A879)
- Copper :: 48 oz (ASTM B152)
- Cor-Ten® :: 16 ga (ASTM A606)
- Stainless Steel :: 16 ga (ASTM A240)
- Aluminum :: .063" (H32 - ASTM B209)

COLORS/FINISHES

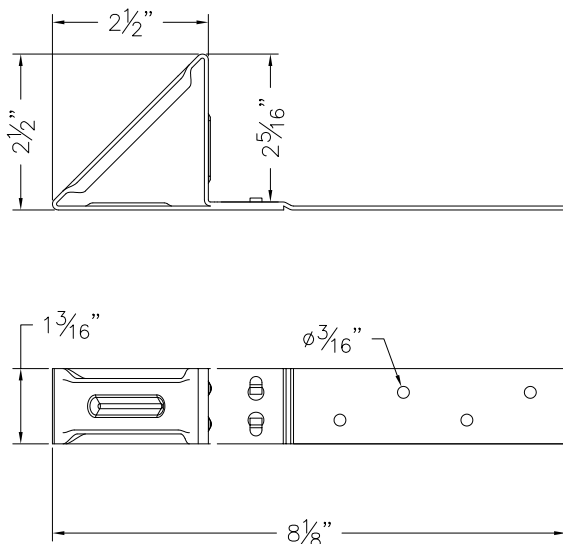
- Electro-galvanized steel
- Hot-dipped galvanized steel
- Mill finish Aluminum
- Mill finish Copper
- Mill finish Cor-Ten®
- Powder coating available in many colors visit <http://trasnowandsun.com/color-chart/> to see color chart

NOTE: Due to specific job conditions, TRA Snow and Sun will only warranty a snow retention system/layout that has been designed by TRA Snow and Sun.



FOR NEW CONSTRUCTION

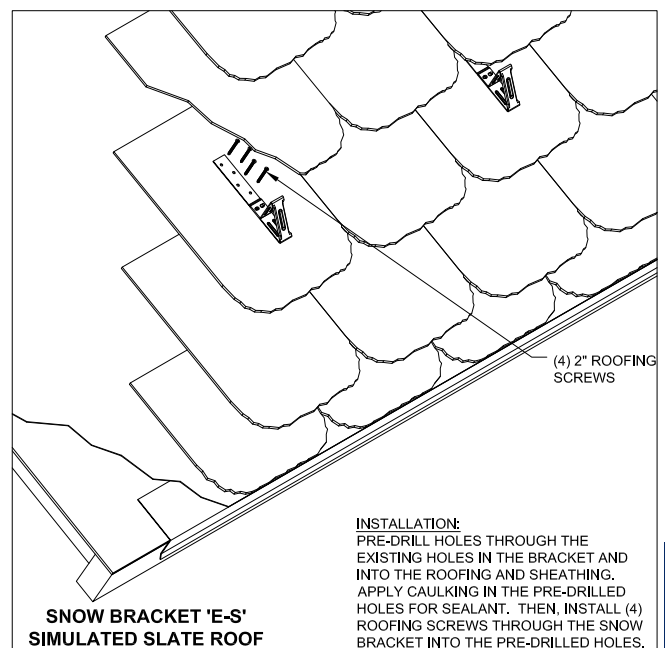
USED ON: SIMULATED SLATE, SHAKE, ASPHALT SHINGLE & METAL ROOFS



Bracket to be installed using (4) #8 stainless steel screws or roofing nails fastened through roofing material and sheathing below.

DIMENSIONS

DO NOT SCALE



**SNOW BRACKET 'E-S'
SIMULATED SLATE ROOF**

INSTALLATION:
PRE-DRILL HOLES THROUGH THE EXISTING HOLES IN THE BRACKET AND INTO THE ROOFING AND SHEATHING. APPLY CAULKING IN THE PRE-DRILLED HOLES FOR SEALANT. THEN, INSTALL (4) ROOFING SCREWS THROUGH THE SNOW BRACKET INTO THE PRE-DRILLED HOLES.

INSTALLATION

DO NOT SCALE

SNOW RETENTION SYSTEMS

*Dimensions shown are in inches.