



SNOW BRACKET™ D

DESCRIPTION

- Designed for new construction asphalt shingles
- Can be used with most asphalt shingle makes or models
- Installed as shingles are installed
- Bracket fastens to roof sheathing
- Superior strength
- Can be powder coated to match roofing material color
- Overall dimensions: 1-3/16"W X 3"H X 10"L

MATERIALS

- Steel :: 16 ga (ASTM A879)
- Copper :: 48 oz (ASTM B152)
- Cor-Ten® :: 16 ga (ASTM A606)
- Stainless Steel :: 16 ga (ASTM A240)
- Aluminum :: .063" (H32 - ASTM B209)

COLORS/FINISHES

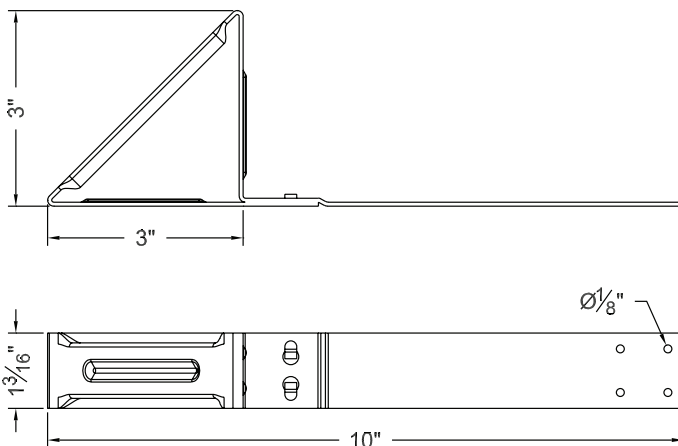
- Electro-galvanized steel
- Hot-dipped galvanized steel
- Mill finish Aluminum
- Mill finish Copper
- Mill finish Cor-Ten®
- Powder coating available in many colors visit <http://trasnowandsun.com/color-chart/> to see color chart

NOTE: Due to specific job conditions, TRA Snow and Sun will only warranty a snow retention system/layout that has been designed by TRA Snow and Sun.



FOR NEW CONSTRUCTION

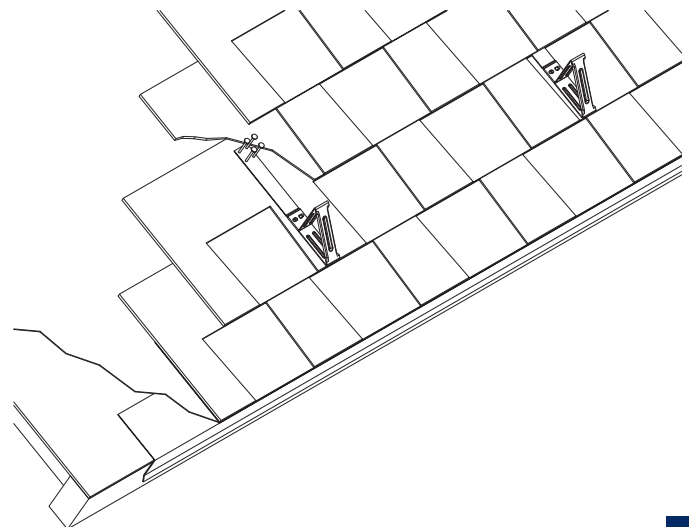
USED ON: ASPHALT SHINGLES



DIMENSIONS

DO NOT SCALE

*Dimensions shown are in inches.



Bracket to be installed using (4) #8 stainless steel screws or roofing nails fastened through roofing material and sheathing below. Fasteners should be hidden under roofing material course above.

INSTALLATION

DO NOT SCALE

SNOW RETENTION SYSTEMS