



D3H EXTENDED DECK MOUNT

DESCRIPTION

- Designed for use with most stick framed roof types
- Accepts 1" (1.315" OD) fence pipe
- Installed using (4) 3/8" Lag bolts
- Must be installed into structural roof member such as a truss or rafter beam
- Ice flags are optional
- Powder coated to match roofing material color
- Overall dimensions: 23"L X 2 3/16" W X 12 1/16"H

MATERIALS

- Steel :: 1/4" (ASTM A1011 & ASTM A880)
- Copper :: 1/4" (ASTM B152)
- Cor-Ten® :: 1/4" (ASTM A588)

COLORS/FINISHES

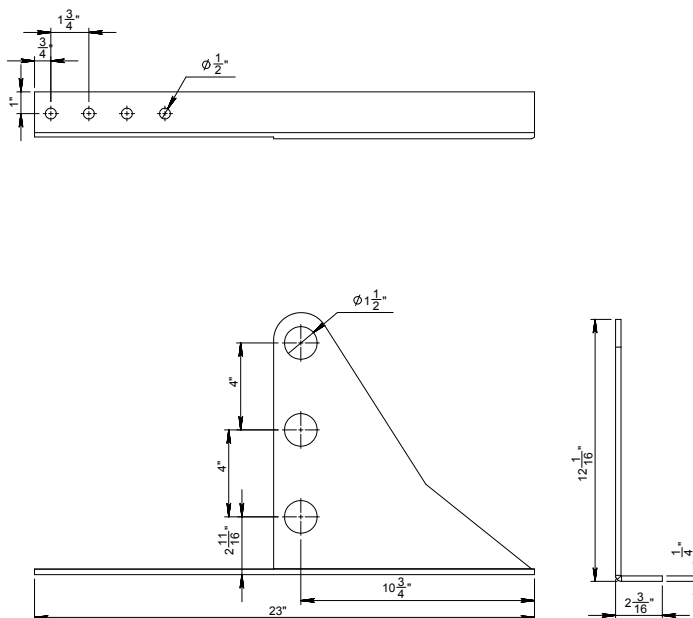
- Raw steel
- Electro-galvanized steel
- Hot-dipped galvanized steel
- Mill finish Copper
- Mill finish Cor-Ten®
- Powder coating available in many colors visit <http://trasnowandsun.com/color-chart/> to see color chart

NOTE: Due to specific job conditions, TRA Snow and Sun will only warranty a snow retention system/layout that has been designed by TRA Snow and Sun.



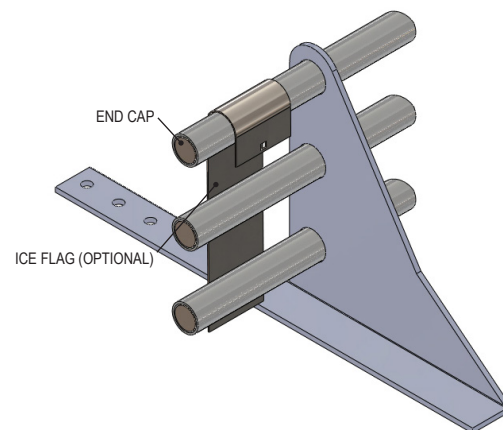
3 PIPE SNOW FENCE SYSTEM

USED ON: ASPHALT SHINGLES, CEDAR SHINGLES, FLAT SEAM METAL, GRANULE METAL, METAL PANEL, SLATE, SIMULATE SLATE, TILE ROOFS, & WOOD SHAKES



DIMENSIONS

DO NOT SCALE



Snow Fence Bracket to be installed using (4) 3/8" Lag Bolts secured to truss, rafter, beam, or other structural member. Space Snow Fence Brackets horizontally according to TRA Snow and Sun recommendations. Collars should be installed inside the last bracket and End Caps should be placed at pipe terminations.

INSTALLATION

DO NOT SCALE

SNOW RETENTION SYSTEMS

*Dimensions shown are in inches.