



D2HL DECK MOUNT

DESCRIPTION

- Designed for most stick framed roof types
- Accepts 1" (1.315"OD) fence pipe
- Installed using (4) 3/8" Lag bolts
- Must be installed into structural roof member such as a truss or rafter beam
- Ice Flags as option
- Powder coated to match roofing material color
- Overall dimensions: 8"L X 2-1/8"W X 8-1/8"H
- Weight: 3.5 pounds

MATERIALS

- Steel :: 1/4" (ASTM A1011 & ASTM A880)
- Copper :: 1/4" (ASTM B152)
- Cor-Ten® :: 1/4" (ASTM A588)

COLORS/FINISHES

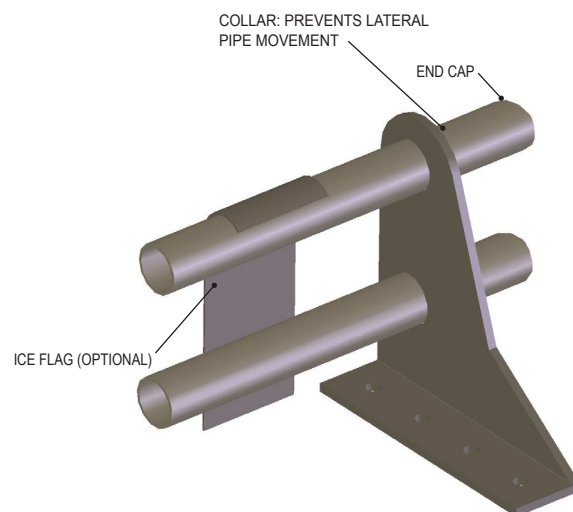
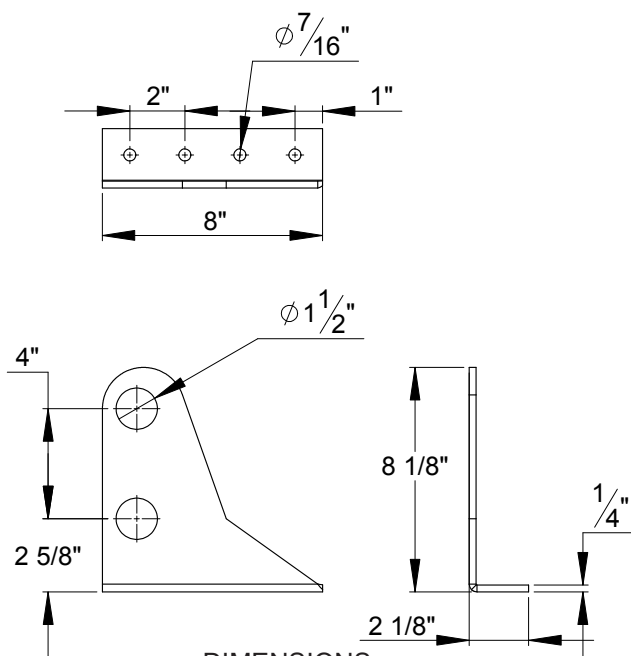
- Raw steel
- Electro-galvanized steel
- Hot-dipped galvanized steel
- Mill finish Copper
- Mill finish Cor-Ten®
- Powder coating available in many colors visit <http://trasnowandsun.com/color-chart/> to see color chart

NOTE: Due to specific job conditions, TRA Snow and Sun will only warranty a snow retention system/layout that has been designed by TRA Snow and Sun.



2 PIPE SNOW FENCE SYSTEM

USED ON: ASPHALT SHINGLES, CEDAR SHINGLES, FLAT SEAM METAL, GRANULE METAL, METAL PANEL, SLATE, SIMULATE SLATE, TILE ROOFS, & WOOD SHAKES



INSTALLATION

DO NOT SCALE

SNOW RETENTION SYSTEMS

*Dimensions shown are in inches.