

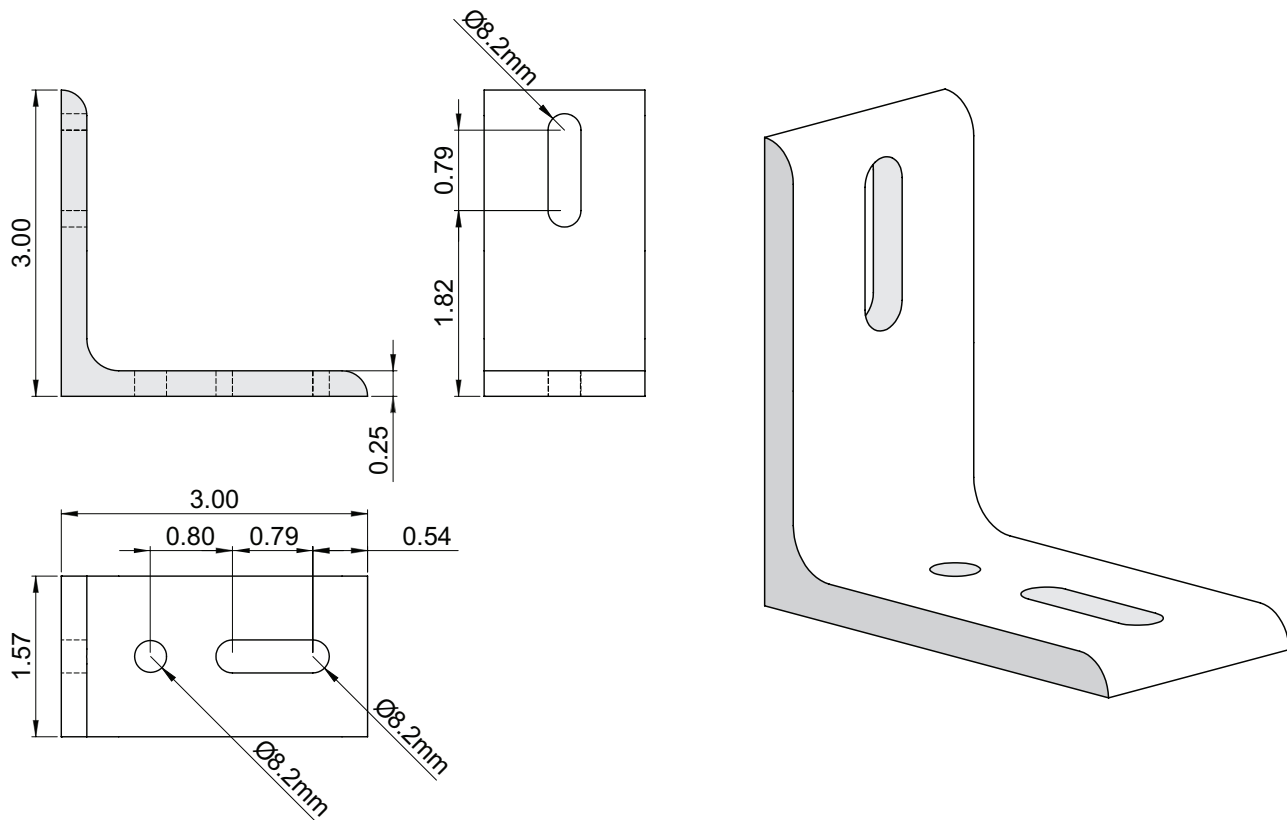


# L BASE 3x3

## TECHNICAL SPECIFICATIONS

Part Number	77000502
Material	6005A-T6 Aluminum
Finishes	Mill finish
Allowable Load (lbs)	<ul style="list-style-type: none"> <li>Uplift: 400</li> <li>Downforce: 400</li> <li>Shear: 180</li> </ul>
Companion Parts	<ul style="list-style-type: none"> <li>Simpson SDS 1/4" Fastener; L = 3.5", 4.5", 6"</li> <li>Socket Head Cap Screw M8 x VAR</li> </ul>
Compatible Mounting Rails	All TRA Snow and Sun rails as well as other major brands
Compatible Solar Modules	All major brands
Warranty	25 Years (See warranty documentation for conditions)

NOTE: Dimensions shown are in inches unless otherwise noted



## SOLAR MOUNTING SYSTEMS