

VersaFlash | Copper Tape

METAL

- Highly durable and weather resistant
- Maximum formability and long term functionality
- Fully recyclable

SOLID COPPER

- Prevents moss and organic build-up on roof surface

CONTINUOUS CORRUGATION

- Stretching factor of 20%
- Conforms to roof surface
- Usable as wall and/or chimney flashing
- Easy installation

BUTYL ADHESIVE SHEETS

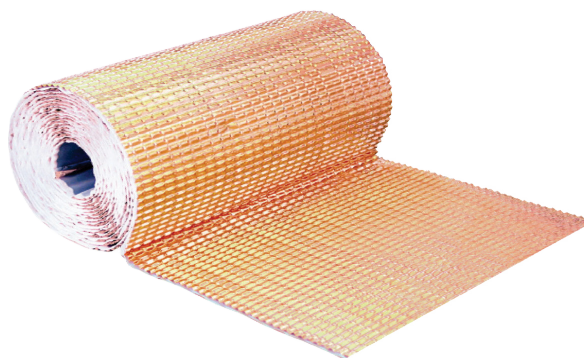
- Additional security against driving rain and snow

TECHNICAL INFORMATION

- Body :: copper, corrugated
- Width :: 9.5 in., 11 in., 13 in., 15.75 in.
- Length :: 15 ft./per roll
- Standard colors :: mill finish copper

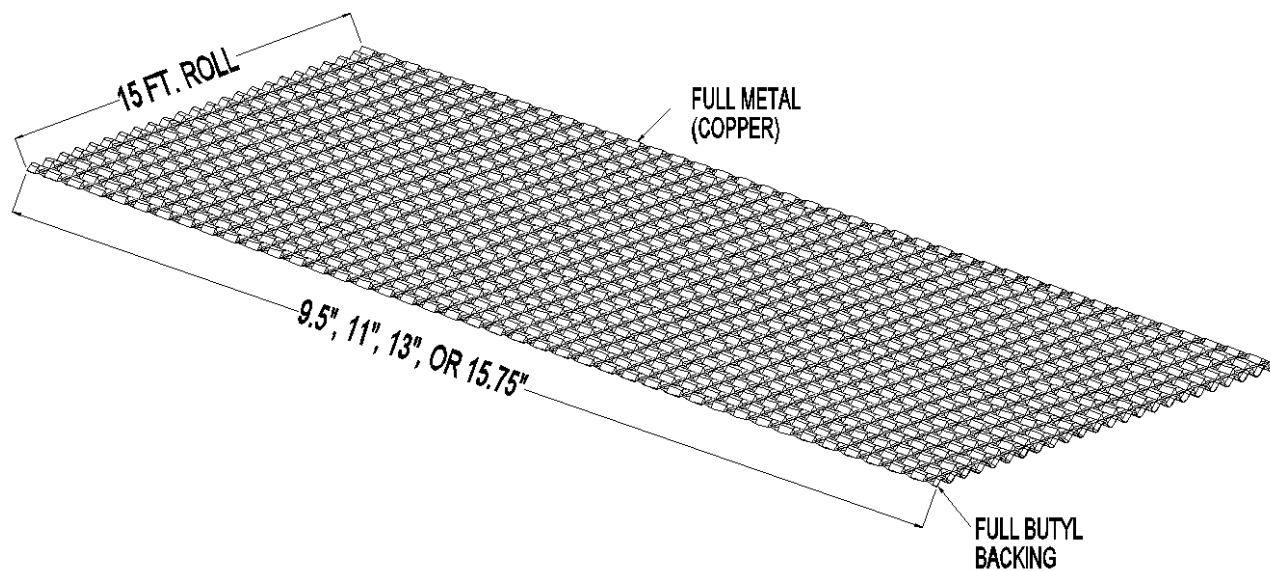
WARRANTY

- 25 year limited warranty



FOR NEW CONSTRUCTION AND RETROFIT

USED ON: TILE ROOFS



VENTILATION AND FLASHING SYSTEMS



VersaFlash | Copper Tape

STRUCTURE	Copper tape .003" thick with fully covered butyl back side	
MATERIAL FRONT	Copper 99.9 (semihard)	
MATERIAL CHARACTERISTICS	Abbreviation	SF-CU/F20 by DIN 77670 99.9% Cu: 0.01% - 0.04% Phosphorus
	Thickness	.003" inches
	Course Talent	240 - 300 N/mm ² 0.2 % elongation limit R _{p0.2} max. 180 N/mm ²
	Elongation at rupture	A ₅ min. 15 % A ₁₀ min. 12 %
	Vickers hardness	min. 70 max. 90
	Brinell hardness	min. 55 max. 90
MATERIAL BACK SIDE	Full width extruded strip of very tacky, sealant/adhesive based on butyl rubber covered with a release film.	
MATERIAL CHARACTERISTICS (OUTSIDE)	Specific weight:	1.49 g/ml
	Temperature resistance:	continuously from -50°C bis +80°C
	Plasticity:	70 < p > 100 acc. norm NFP 85513
	Plastic flow:	0 mm bei 23 °C und 0 mm bei 70 ° acc. norm NFP 85501
	Drying substance:	100%
	Shearing stress-resisted:	speed 100 mm/mm 0.107 Pa
	Tearing off resistance:	speed 100 mm/mm 0.233 Pa
	Elongation at rupture:	> 500 %
	Steam permeability:	impermeable
	Migration of components:	no migration no spotting
	Compatibility with paints:	can be re-painted
	Resistance:	Water excellent Seal water excellent House detergent very good Weak acids good Basen thinly very good Alcohol moderately Organic solvents poor